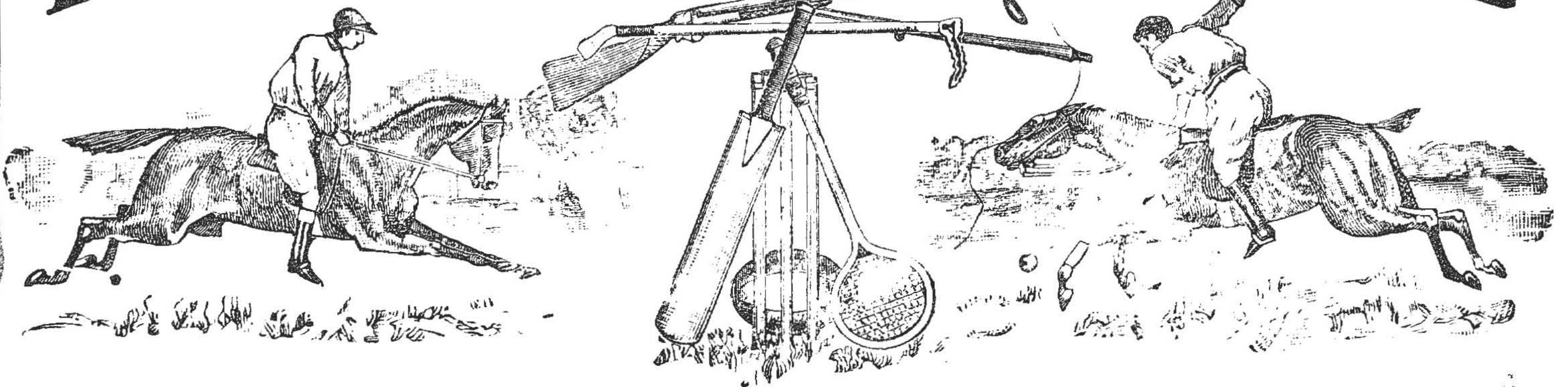


RIVER PLATE



SPORT & PASTIME

Vol. XVI., No. 418

BUENOS AIRES, WEDNESDAY JULY 5, 1899.

Price: 30 cents.

R. W. ANDERSON
441-PIEDAD-441

Land Broker and

Commission Agent

Mortgages arranged

**The Anglo-Argentine
Live Stock & Produce Agency, Limited**

We are now prepared to purchase "novillos" & "capones" at current rates. To neutralise the effect of the heavy fall in gold we will make special terms with owners to ship their live stock either on joint account or on commission, making liberal advances against same. Arrangements can also be made subject to the amount advanced to indemnify the owner against any claim after the animals are sold, in the event of them meeting bad markets and realising low prices. All particulars can be had on application.

Kingsland & Cash, 383 Piedad

Silver Cups & Trophies
In great variety

DESIGNS AND ESTIMATES
Given for special orders

C. R. SIMONS & Co.

BAZAR INGLES
148/52 Peru, Buenos Aires

Juan y José Drysdale y Cia.

440 - Calle Perú - 450

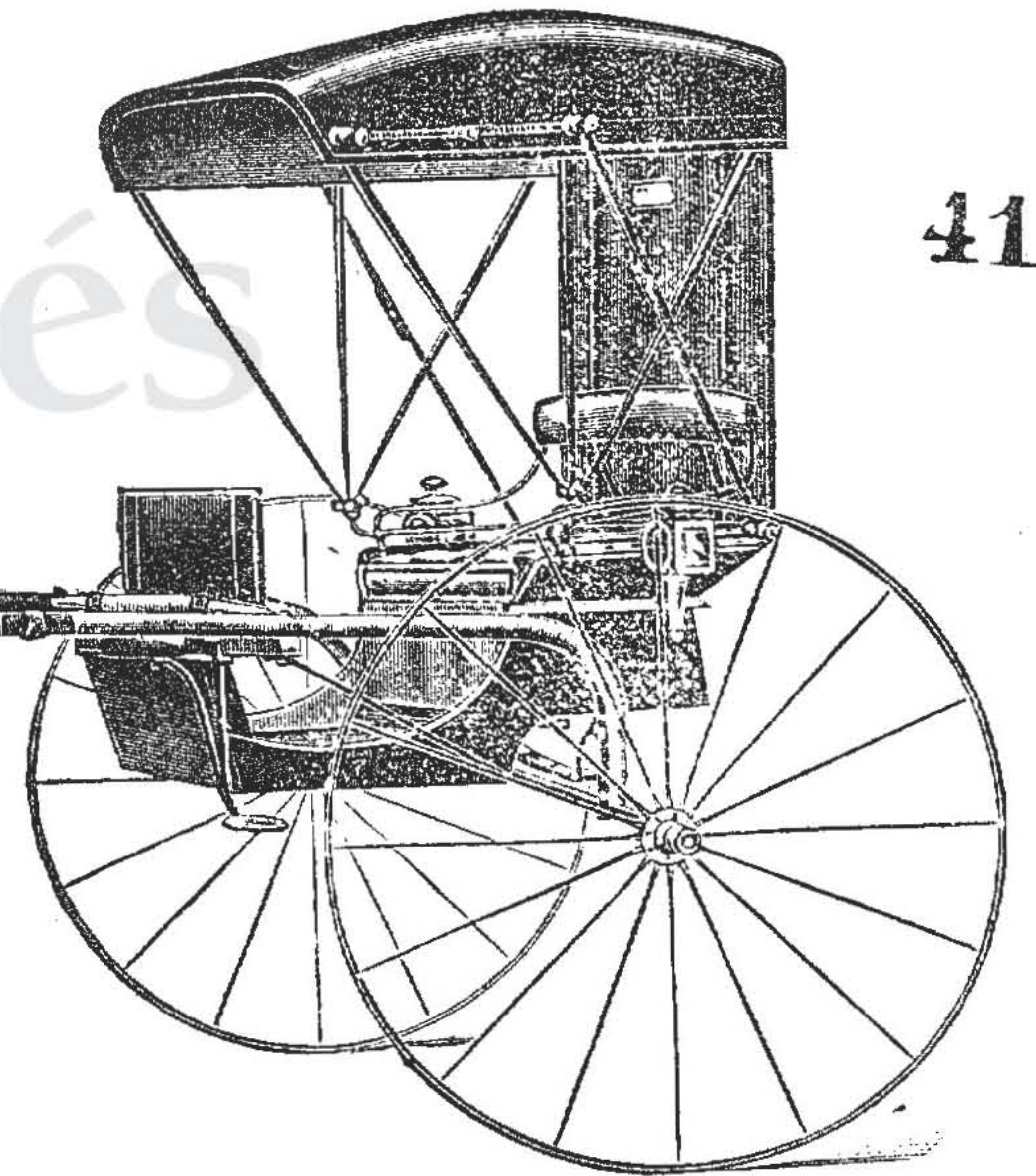
BUENOS AIRES

4166

IMPORTERS OF

American Buggies, Sulkeys and Carriages

LARGE AND VARIED ASSORTMENT.



Sir Robt. Burnett & Co.'s GIN

"OLD TOM" AND "LONDON DRY"

Importadores:

L'HUISSIER, SUMNER & Co.

Calle Esmeralda 452 and Calle 25 de Mayo 112, Buenos Aires

ARTURO W. BOOTE & Co.

LARGEST PHOTO-VIEW PUBLISHERS IN ARGENTINA.

PHOTO-VIEWS of the City.
PHOTO-VIEWS of the Provinces.
PHOTO-VIEWS of Paraguay.
PHOTO-VIEWS of Montevideo.
PHOTO-VIEWS of Brazil.
PHOTO-VIEWS of the Cordillera.
PHOTO-VIEWS of Camp Scenes.
PHOTO-VIEWS of Gauchos.

555-Calle Cuyo-555

Buenos Aires English High School

BOYS AND GIRLS

3502 - Santa Fé - 3600

SIXTEENTH YEAR

Over 150 pupils (including 40 boarders)

TEACHING STAFF

The Rector and 16 Assistants, including Kindergarten Mistress and Matron.

Reopened Monday 9th January at 10 o'clock

Early application necessary

A. WATSON HUTTON, Rector

Heather Dew

A WELL MATURED
AND WHOLESOME

SCOTCH WHISKY

IMPORTED BY

Holland, Beckett and Co.

467 ALSINA 473

MURRAY'S

TOBACCO POWDER

SPECIALLY PREPARED FOR USE IN HARD WATER

A CERTAIN CURE FOR SCAB

Always reliable, safe and economical

Sole Importer

TOMAS MURRAY

158 RECONQUISTA 158—Buenos Aires

London and River Plate Bank, Ltd.

BUENOS AIRES

Piedad 399

BARRACAS AL NORTE

Montes de Oca 932

Rosario, Bahía Blanca,

Mendoza, Montevideo,

Paysandú, Rio de Janeiro,

Pernambuco, Pará, Santos

San Paulo, London, Paris.

Subscribed Capital . . . £1,500,000 Ster.
Paid-up Capital 300,000 "
Reserve Fund 1,000,000 "

Current Accounts opened with Commercial Firms and private individuals.

Customers have the advantage of having approved Bills discounted—of obtaining loans upon negotiable Securities, of depositing Bills, Coupons, etc. for collection—subject to a conventional commission.

The Bank receives deposits either at sight, or fixed periods, or at thirty days' notice of withdrawal, Interest on which is regulated by the market value of the money. the Bank notifying any change in Rates, by Advertisement in the principal daily papers.

Letters of Credit issued to parties for the purpose of purchasing Goods in Europe, the United States, etc. the terms of which can be ascertained on application to the Bank.

Parties wishing to bring out funds to the River Plate can do so through the medium of the Bank's chief office.

PRINCES STREET, LONDON, E.C.

or of the

PARIS BRANCH, 16 RUE HALEVY.

BILLS OF EXCHANGE

issued and purchased on the following places

LONDON

And all the principal Towns of ENGLAND SCOTLAND & IRELAND.

PARIS

And all the principal Towns of FRANCE

and of

GERMANY, SPAIN, BELGIUM, ITALY

also on

BRAZIL, CANADA, CHILE, PORTUGAL, SWITZERLAND, UNITED STATES, REPUBLICA ORIENTAL.

The rates of interest allowed and charged by the Bank, until further notice will be as follows:

	ALLOWED	Mon. nac.
On accounts current and deposits at sight		1 %
On deposits at 1 month's notice, if retired before 2 months no interest		2 "
On deposits at 3 months fixed		4 "
On deposits at 6 months fixed		5 "
On deposits at 12 months fixed	conventional	
	Oro sellado	
On accounts current		nil
On deposits at 1 month's notice, if retired before 2 months no interest		1 %
On deposits at 3 months fixed		2 "
On deposits at 6 months fixed		3 "
	CHARGED	M/N ORO
On debit balances in account current		9% 9%

R. A. THURBURN, Manager.

Buenos Aires, June 16th, 1896.

The Anglo-Argentine Bank, Ltd.

14-Austin Friars-14, Londres

BUENOS AIRES — CALLE RECONQUISTA 78

MONTEVIDEO — CALLE ZABALA 82

Authorized Capital £950,000
Capital Subscribed 450,000
Capital Paid up 350,000
Reserve Fund 15,000

Current accounts opened with Commercial Firms and private individuals.

Deposits received at sight and for fixed periods.

Bills discounted, negotiated, and collected.

Stocks and shares received on deposit for collection of Coupons and Dividends.

Proceeds of Coupons and Dividends remitted to parties interested in Europe.

Stocks and shares bought and sold for account of third parties.

Bills of Exchange, Letters of Credit and Telegraphic payments effected on London Paris, Hamburg, Antwerp, Montevideo, Paysandú, and the principal towns in Great Britain, France, Italy and Spain.

Banking business of every description transacted.

The following rates of interest will be allowed and charged by the Bank, until further notice

ALLOWED.

	GOLD.
On deposits in current m/n. account and at call 1 %	no interest
At one month's notice 3 %	1% per ann.
For two month's fixed 3½ %	2 " "
For three " " 4 %	3 " "
For longer periods according to arrangement.	

CHARGED

Overdrafts in current account, gold and paper 10%.

Discount according to arrangement.

April 1st, 1899.

B. L. Phillips — Manager.

COMMERCIAL PRINTING

— AND —

Large Rubber Stamp Manufactory

— OF —

H. D. Woodwell

672 PIEDAD 672—Bs. Aires.

Union Telephone 2291.

Barton & Gumpert

BOLSA BROKERS

Money on Mortgage

378 - Calle Piedad - 378

BUENOS AIRES.

Lomas Academy

BOARDING and DAY SCHOOL

PRINCIPAL—R. L. GOODFELLOW.

RIVER PLATE SPORT & PASTIME

Vol. XVI., No. 418.

BUENOS AIRES, WEDNESDAY, JULY 5, 1899.

Price: 30 cents.

ESTANCIA AND COLONY.

Messrs J. Olde and Son have purchased from Sr. Leonardo Pereira, from the estancia San Juan in the partido of Quilmes 300 export steers, at \$34.00 gold each.

* * *

The sale is reported of a batch of export capones from an estancia in the west of the province at \$3.20 gold each delivered on waggons, the minimum weight being 63 kilos.

* * *

A case of a cow being attacked with hydrophobia is reported from La Plata, and as cases of this nature are rare, in this country at least, the "direccion general de salubridad" has taken the matter in hand and has ordered, that the cow be slaughtered and a "post mortem" examination be made, and report drawn up. The owner of the cow is said to have been bitten by the rabid animal.

* * *

The Hereford Bull which won the Championship prize at the Royal Agricultural Society's show at Maidstone, England, last week, has been purchased for account of Sr. Gregorio Villafañe, the well-known breeder of Herefords, for his estancia San Gregorio in the partido of Chacabuco.

* * *

The River Plate Fresh Meat Company Limited, has declared a dividend for the year, ending April 30th, of 7%.

* * *

The Curumalan Estancia Co. has sold to Mr James Sidey from its invernada in the partido of Arrecifes, 150 export steers at \$35 00 gold each.

Mr Fred Miller has bought from an invernada in the partido of Las Heras, a specially fine lot of steers for export, for which he has paid the fancy price of \$96.00 paper, equal to say, \$44.50 gold.

* * *

Messrs José and Narciso Ocampo, have sold to Messrs Bosio and Camuyrano, 800 export steers, from their estancia San Miguel in the partido of Pergamino, at \$33.00 gold each. In a previous issue we announced the sale of 200 steers, from the same estancia to the same exporting house.

* * *

Messrs J. Olde and Son have purchased from Mr P. Ham, of Lujan 45 export steers at \$93.00 paper each.

* * *

Other sales of live stock for export reported are.—
400 novillos from an estancia in Pergamino at \$ 37.75 gold.
260 novillos from an estancia in Dolores, at \$37.50 gold.
1000 Lincoln capones from an estancia in the west of the province, 62 kilos and up, at \$3.20 gold, and 2500 Lincoln capones from an estancia in the partido of Olavarria, at \$3.00 gold each.

* * *

"El Campo y El Sport" in its issue of the 28th of June gives some interesting figures, on the subject of the decadence of the Saladero Industry in this country, and attributes the falling off, to the great decrease in our herds.

It is no doubt a very difficult matter to legislate on, but sooner or later, the question will have to be taken in hand by the authorities and something done, or one of, if not our chief, source of wealth, will soon become a very minor factor.

* * *

The new steamer of the Nelson Line, the "Highland Laird" which arrived out last week, is the first of six of the same class which are being constructed by this Company, with special accommodation for carrying live stock. "The Highland Laird" is 376 feet long, 48 wide and has a draft of 23 feet 6 inches when fully laden. She has triple expansion engines and can steam eleven knots an hour. She has storage capacity for 1000 tons

of water and condensers which can supply 60 tons daily. She is fitted with freezing chambers, with capacity for 40,000 frozen wethers. The deck is divided into three sections, and has permanent cattle fittings of wood and iron, for 330 bullocks, and accommodation for 2,000 sheep. The cattle will be watered in zinc troughs, which are filled by means of pipes. The boat is lighted throughout by electricity, and the ventilation is said to be as near perfect as can be. She is considered by those who should know, to be a considerable improvement on the "Raphael" which up to the present has been considered the best cattle boat that has come to this country.

* * *

On Friday last Messrs. Funes Lagos and Co. sold at auction the following:—

3 Durham bulls imported by Mr. G. G. Guinness and consigned to Messrs. Runciman and Co. at \$1,700, \$1,200 and \$1,050 respectively the buyers being Messrs. Ramon Yedro and M. Goñi.

One imported Durham bull and one pure bred Durham bull born in the country at \$900 each and one imported red Lincoln bull, for \$550. Buyers Messrs. Lopez-Lecube and Gardey. One pair of harness horses imported for \$900. Buyer señor Lamo Cabral.

* * *

On the same day Messrs. Bullrich and Co. had a big sale of imported poultry, brought out by Mr. Gilbert Kennedy. The bidding was very brisk and everything was sold at prices ranging from \$17.50 to \$71.00 per bird, the latter fancy price being paid for a cage of prize winning Silver Dorkings. There was lots of variety, in the way of breeds, as the Dark and Silver Dorkings, Cochins, Indian Game, Langshans, Wyandottes, Minorcas, were all represented, to say nothing of swans.

* * *

At their inaugural Remate-Feria in there new local at Pergamino, Messrs. Bullrich and Co. sold last Sunday, Live stock to the value of over \$60,000.

* * *

At Messrs. J. M. Morillo's Remate-Feria at Chascomus last week, steers for invernada fetched from \$32 to \$45 50 each. Cows from \$17 to \$25 each. Capones \$4 to \$6 each. The sales realized a total of \$31,700.

* * *

The exports of wheat from the Argentine Republic for the first six months of the current year amount to 1,039,810 tons. For the same period last year the total was 650,210 tons and for 1897 83,182 tons.

* * *

The number of cattle in New South Wales at the beginning of the present year, according to the official returns, was 2,015,000, as compared with the maximum of 2,465,400 reached in 1895. Milch cows, in spite of the development of dairying have fallen in number in the same period from 438,211 to 417,388. The decreases are attributable to five consecutive seasons of drought, though the decline did not begin to show until the second year of the set.

* * *

In an article on the "Principles of Breeding" Mr. P. R. Gordon, Chief Inspector of Stock, Queensland, writes: "Cross-breeding has been practised with two distinct objects in view. First, for the production of a superior class of beef or mutton; and, second, with the intended object of establishing a new permanent variety midway, or at some point, between two breeds. The former requires a very little skill on the part of the breeder beyond care in the selection of the animals to be crossed. It is the case that the first cross between two distinct breeds, particularly in cattle, results in the production of a superior beast for the butcher. There are breeds that can be crossed with greater certainty of success than others, as, for instance, the Shorthorn on the Aberdeen-Angus or Galloway, the reason being obvious—namely, the preponderance of fat in the Shorthorn, and the compactness of flesh of the two latter breeds; but, as a general rule, the qualities of

each breed blend pretty equally in a first cross between any two different old established breeds of cattle. To proceed beyond a first cross is to court a certain amount of risk and uncertainty as to the character of the progeny, for here the prepotency of the line of one or other of the parents will dominate, and the best and most experienced of breeders cannot forecast the result with even an approach to certainty; but when a second cross, or 'grade,' as the Americans term it, has been decided upon, only a pure sire should be used, and, if the sire is of the same breed as the sire previously used, the produce is termed, in bush phraseology, a 'come back.' There are many instances in which the use of a pure sire of a breed with a female of a very mixed ancestry has resulted in excellent butchers' beasts; but in such cases the many instances of failure frequently overbalance the successes."

LIFE ASSURANCE

THE STANDARD

LIFE ASSURANCE

COMPANY

OF EDINBURGH — Established 1825

The only English Life Assurance Company

Represented in the Argentine Republic

FUNDS.... £ 8,804,722 stg. CLAIMS PAID .. £18,000,000 stg.

Moderate Premiums

Perfect Security

For rates and information apply to

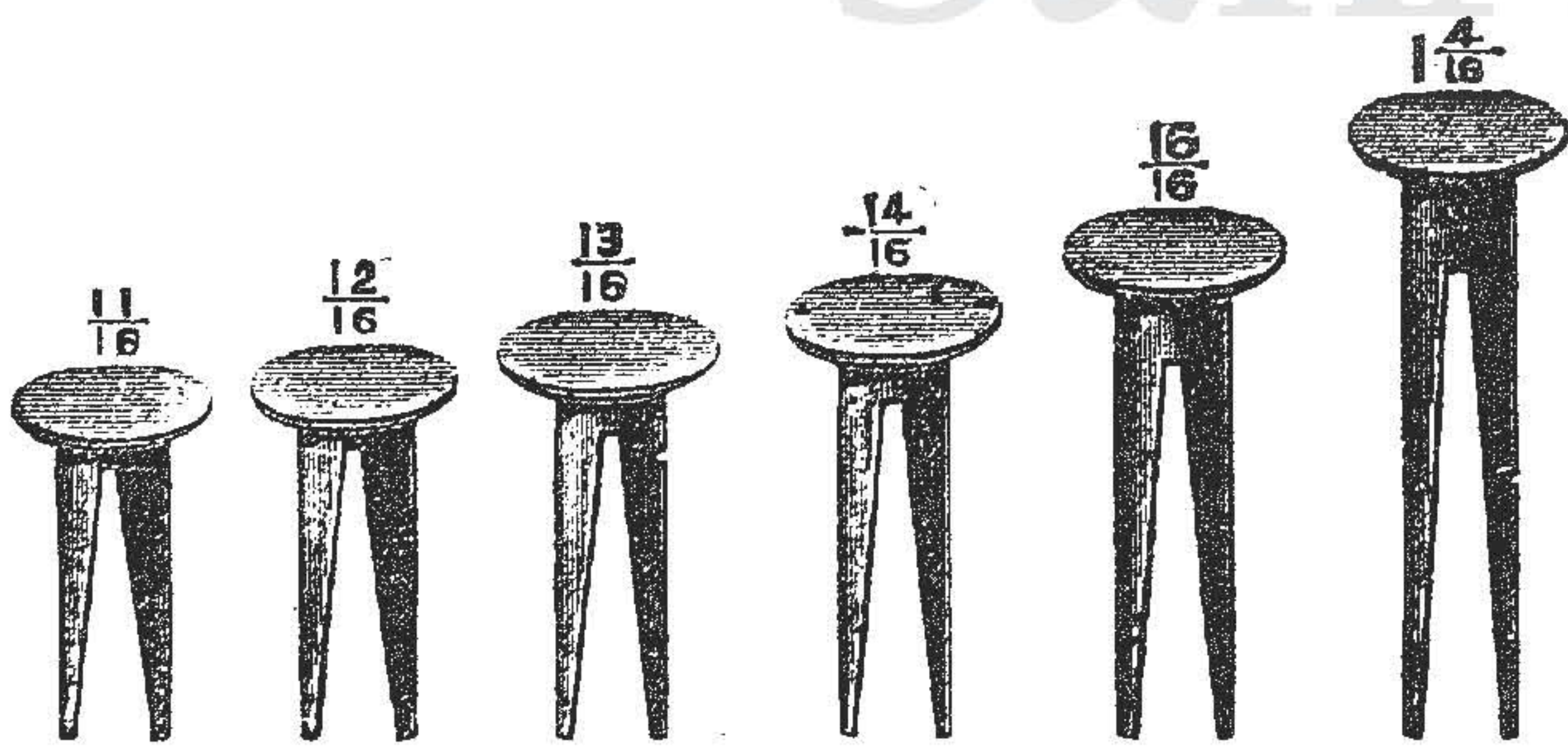
Moore & Tudor, 148 Maipú

Sole Agents for Argentine Republic

Mend your own Harness and Belts

With Bifurcated Copper Rivets

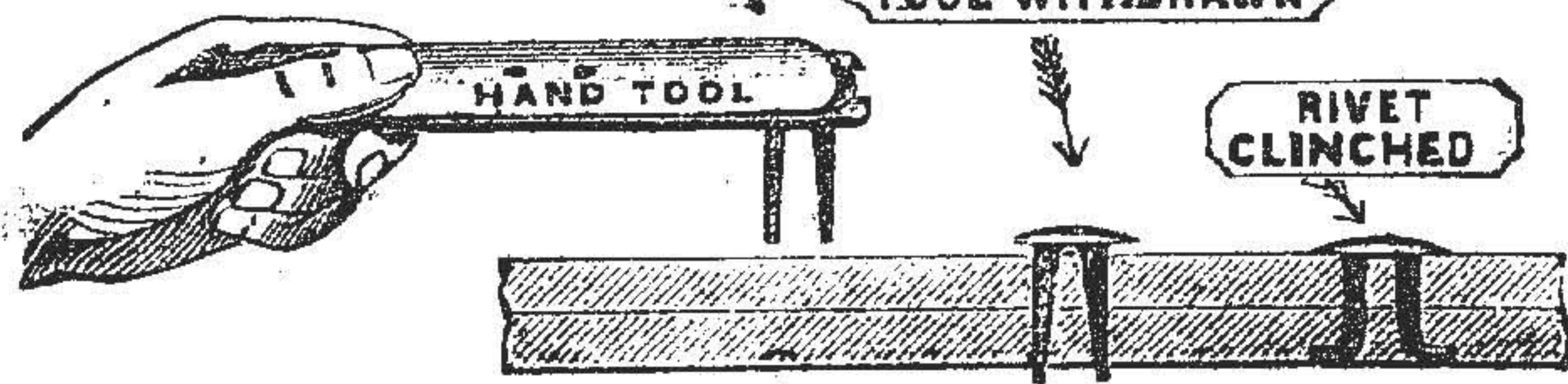
FROM 1/4 TO 1 1/4 IN. LONG



RIVET IN HAND TOOL,
READY FOR DRIVING.

RIVET DRIVEN
TOOL WITHDRAWN

RIVET
CLINCHED



Put up in Boxes of 1 lb. or 1 gross, assorted sizes or uniform lengths

Rivets are driven through with common hammer or stone, no hole to punch or burr to fix. Every Farmer, Driver, or user of Harness should carry some of these rivets in his waistcoat pocket. A breakage of Rein. Trace, or Strap can be repaired thoroughly and instantly. Order supply through any merchant in England. Samples, Catalogues, & Prices on application.

Sole Manufacturers: BIFURCATED RIVET Co., Ltd.

10 WOOL EXCHANGE, LONDON, ENGLAND

Works: Warrington, Lancashire, England

Agents wanted

STOCKMAN SPICE

SHEEP AND CATTLE FOOD

Used on many of the principal estancias of the Republic
Specially advantageous in bringing on young rams

IMPORTERS:

RAMSAY, BELLAMY & Co., Paseo Colon 500

RACING.

PALERMO—JUNE 29.

A fine afternoon and a useful card brought out an average crowd to witness some good racing. The fields were not large as there were many desertions, the final bringing out ten, the highest figure of the day. As the cream was left in in all the races, this was distinctly a benefit as there was no crowding and jostling as seems to be unavoidable in fields of over a dozen.

The Classic presented seven competitors, all first class and in tip-top condition, Purran, Omnium, Ovacion, Gonin, Le Sancy, Tom Pouce, and Filou. Of these Omnium looked to us in best form, but was put on one side as usual, the public going strong for Gonin, Tom Pouce, Le Sancy, and Filou. From a slow start Purran led to the station, where the hunchback, not liking the pace, forged ahead on Gonin, and as so often happens, the other jockeys foolishly let him get too far ahead to be caught, and although Omnium and Ovacion challenged strongly at the finish, the black was able to get in first by half a length, the same distance separating second and third. As we anticipated, Pillito was not pulled out to try and give three kilos to these strong opponents.

The talent was well on the spot, the favourites winning most of the races, but in the 1400 metres Clamor gave them a rough slap.

Two Montevideans, Carina and Hortensia, had a tough finish in the 1200 metres for the young ones.

The winners of the long distance, and final mile hail also from the same quarter, so our friends had their share of the spoil. Salto's performance in 2200 metres, carrying top weight against a lot of good stayers, was very suggestive, and he must have been unlucky not to have won more races.

The following are the details:—

PREMIO LADY THURIO, for horses of three years and more that have been a year in the country and have not won more than two races. Weight 54 kilos, 3 kilos extra for every win, 3 kilos allowed to horses ridden by jockeys who have never won, and have not ridden in any other country. \$1500 to 1st, 100 to 2nd, 1600 metres.

Ecurie Nautilus' Dafne, by El Amigo—Devonshire Lass
3 y, 55 k..... J. Rivero 1
Ecurie Pergamino's Kaolin, 3 y, 57 k..... P. Aguirre 2
Stud Monti's Bambola, 3 y, 55 k..... J. Insaurralde 3
Also ran—Union, Julia, and Torpedo.

Dividends—Dafne \$7.30 win and 4.55 place, Kaolin 11.15 place.

PREMIO REMATE, for two-year-olds. Weight, 55 and 53 kilos. The winner to be sold for \$4000. Those entered to be sold for less to be allowed 2 kilos for every \$500 reduction. \$1800 to 1st, 100 to 2nd, 1000 metres.

A. Lincoln's Rústico, by San Martín—Rústica, 49 k.... I. Diaz 1
Iceache's Cuchufleta, 44 1/2 k..... J. Feliú 2
Ecurie Guerrillero's Africano, 47 k..... J. Olmos 3
Also ran—Westfalia, Mein Herr, La Cocarde, Carcajada, and Troya.

Dividends—Rústico \$3.45 win and 2.40 place, Cuchufleta 4.05 place, Africano 3.10 place.

PREMIO NESTA, handicap for all horses that have run and have not won more than \$12,000. \$1800 to 1st, 100 to 2nd, 1400 metres.

Stud Red Lancer's Clamor, by Amianto—Lady Thurio,
3 y, 48 k..... C. Bustos 1
Stud Las Piedras' Molécula, 3 y, 51 k..... F. Perez 2
Ecurie Prisionero's Patriota, 3 y, 49 k..... J. Paez 3
Also ran—Evangelina, Palermo, Cuaró, Donovan, Union, Le Destrier, and Tapera.

Dividends—Clamor \$44.15 win and 7.95 place, Molécula 4.90 place, Patriota 3.45 place.

PREMIO LIBERTAD, for all horses. Weight for age, 3 kilos extra to winner of the Premio Hipódromo Argentino. \$5000 to 1st, 500 to 2nd, 2300 metres.

Ecurie Pichiman's Gonin, by Gay Hermit—Ante Diem,
4 y, 60 k..... I. Diaz 1
Ecurie Belgrano's Omnium, 3 y, 56 k..... S. Urrutia 2
Ecurie Ben d'Or's Ovacion, 4 y, 60 k..... H. Esteves 3
Also ran—Purran, Le Sancy, Tom Pouce, and Filou.

Dividends—Gonin \$6 win and 3.75 place, Omnium 10.25 place.

North British . . .
 . . . & Mercantile
 Insurance Company

Insures against

Room
 Fire:—Barracas, Estancia Buildings,
 Produce in Deposit and in Transit.
 And Wire Fences covered at moder-
 ate rates.

PROMPT SETTLEMENTS

WITHOUT REFERENCE TO HEAD OFFICE

Branch Office: 588 Calle Cangallo, Buenos Aires

M. F. GILDERDALE, Manager

Cleveland Bays

GEORGE SCOBY, Beadlam Grange Stud Farm,
 Nawton, Yorks, England. Breeder of

CLEVELAND BAYS and YORKSHIRE COACH HORSES

Stallions and Mares, all ages, of purest blood for sale.
 This stud won more prizes at the Yorks and Royal
 than any stud in England. Also Hackney's, thor-
 ough-bred Shires and Shorthorns, Berkshire Pigs,
 Border Leicester, Lincoln and Hampshire sheep bred
 and kept on the farm. Prices reasonable.

TELEGRAMS:

SCOBY, HELMSLEY. FARM 24 FROM YORK AND ONE
 MILE FROM HELMSLEY, N. E. R.

THE FATHER OF ENGLISH BOOKSELLERS

PRINTERS, BOOKBINDERS & STATIONERS

J. M. Monqaut & Co.

Successors of Galli Hnos.

First Agents to the English-American Newspapers and Magazines.

Subscriptions received for every Newspaper and Magazine in the world

Toy Books & Plaiting Mats at all prices

English Church Services—Catholic Prayer Books

The latest novels always to be had, and at the

LOWEST PRICES IN TOWN

102 — Calle San Martin — 102

Corner of Calle Piedad.

H. Scott Robson

No. 8, BOLSA.

Camps Bought and Sold.

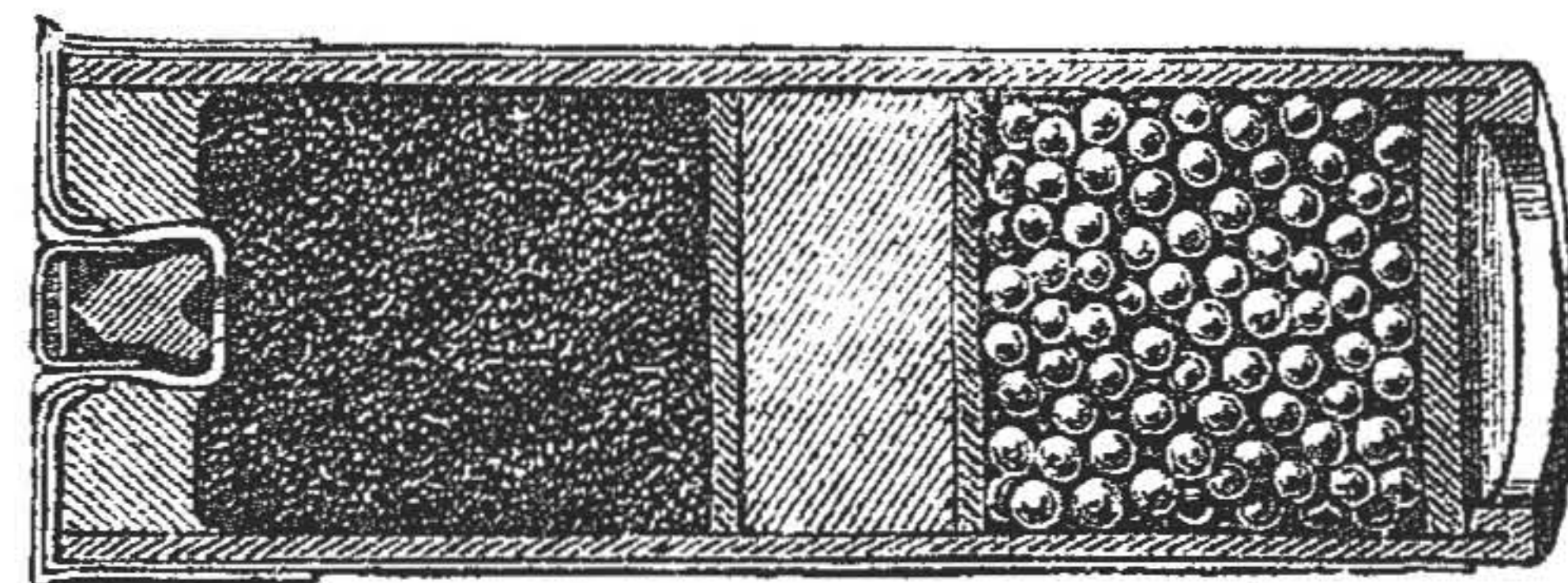
Money Lent out on Mortgage.

Produce received on consignment.

SHIPMENTS made on account of Estancieros of Live Stock and
 Produce of all kinds for the ENGLISH MARKETS. Live
 Stock and Produce also received for shipment to South Africa,
 the Cape, Port Elizabeth, and Natal. Liberal advances made.

KYNOCH'S

C
A
R
T
R
I
D
G
E
S



Kynoch Patent
 Smokeless Sporting Powder
\$ 11.50 m.l. cash
 per 100

E.C. Patent
 Smokeless Sporting Powder
\$ 11.50 m.l. cash
 per 100

Best
 Black Powder
\$ 11.00 m.l. cash
 per 100

We guarantee
 every cartridge loaded with
BEST NEWCASTLE
CHILLED SHOT

H. W. Roberts & Co.

31 Esmeralda 31

BUENOS AIRES

PREMIO HOURI, for two-year-olds. Weight 52 and 50 kilos, 2 kilos extra for every ordinary win and 4 kilos for every Classic. \$2000 to 1st, 200 to 2nd, 1200 metres.

Stud Don Gonzalo's Carina, by Exmoor—Donnina, 52 k
 F. Perez 1
 Stud Floresta's Hortensia, 52 k.....J. Olmos 2
 Ecurie Pergamino's Damieta, 52 k.....J. Rivero 3
 Also ran—California, Judio, and Special.
 Dividends—Carina \$4 win and 3.05 place, Hortensia 3.70 place.

PREMIO PARVULA, handicap for all horses. 2300 to 1st, 200 to 2nd, 2200 metres.

Stud Sanducero's Salto, by Oriental—Regina, 3 y, 60 k
 J. Sarthou 1
 Stud San José's Guttemberg, 4 y, 49 k.....J. Olmos 2
 Ecurie Nautilus' Fagotin, 3 y, 48 k.....P. Garcia 3
 Also ran—Dante, Reserva, Regalona, Lucero, Rob Roy, and Pompeyo.
 Dividends—Salto \$7.95 win and 3.80 place, Guttemberg 4.55 place, Fagotin 5.40 place.

PREMIO CAANTEOELLE, handicap for all horses. \$1800 to 1st, 100 to 2nd, 1600 metres.

Stud Charrua's Liberal, by Oriental—Cruz del Sur, 3 y, 55 k.....A. Zalazar 1
 Stud Los Cardos' Espina, 3 y, 59 k.....P. Aguilera 2
 Stud San Gregorio's Caseros, 4 y, 47 k.....C. Bustos 3
 Also ran—Coquimbo, Chicharron, Cyrano, Nobleza, Chingolo, Retraite, and Sentinel.
 Dividends—Liberal \$5.75 win and 2.90 place, Espina 4.65 place, Caseros 6.35 place.

PALERMO, JULY 2.

In common with all otherseekers of amusement, turfites were treated in mid-winter to a regular summer's day. It was in fact not so much like the Indian summer as a warning that a storm was brewing, as the atmosphere was damp and very oppressive. Towards evening the East wind veered round from North to South and it became more pleasant. The Premio Iniciacion, the first race in which the youngsters tried conclusions over a Mile, was at the mercy of Dictador, but this promising colt, unfortunately for his proprietors, has gone wrong and we have yet to learn if the trouble is serious. In his absence it was looked upon as a certainty for Bonaparte, but by no means turned out so, as the black could only just get him home by a head from Caprichoso who ran most gamely and has come on in a manner to make him a formidable candidate for the long distances. The result was so doubtful that Parva, the second string of the Petite Ecurie who was lying some way off, was driven up to hit assistance and came with a rush that revealed to the public that she has been much underrated, and made a dead heat with Caprichoso for 2nd place, Bonaparte only just having a head advantage of the two. Much the same thing happened to Omnium in the Free Handicap which followed the Classic, he, after his finish with Gonin on Thursday, became naturally one of the favorites with only 53 k., but Salto carrying 60 k. ran him also to a head, a performance which puts him in the very first rank. Orizon with 56 k. was made first favorite in this race, one of those anomalies which now and then happen on the course. The other races call for no comment.

The following are the details:—

PREMIO IMPOSIBLE for horses of three years and more that have been a year in the country and have not won more than once. Weight 57 kilos, 3 kilos extra to winners. 3 kilos allowed to jockeys who have never won. \$1600 to the 1st, 100 to the 2nd; 1400 metres.

Ecurie Pergamino Kaolin, by Saumur—Kate, 3 y, 60 k
 P. Aguirre 1
 Ecurie Royal Royal, 4 y, 60 k.....A. Saavedra 2
 Stud Paris Pucara, 3 y, 57 k.....R. Garrido 3
 Also ran—Canario, Clase, and Calandria.
 Dividends—Kaolin \$7.75 win and 3.15 place, Royal 3.05 place.

PREMIO INFERNAL, for two-year-olds that have not won more than once. Weight 54 and 52 kilos, 3 k extra to winners. Winners of Classics excluded. \$2000 to the 1st, \$200 to the 2nd; 1300 metres.

Stud Oriel Aurore, by Gay Hermit—Dawn, 55 k... R. Garrido 1
 Ecurie Belgrano Sinfonia, 55 k.....S. Urrutia 2
 Ecurie Azul Azul, 54 k.....G. Morales 3
 Also ran—Nicolini, Damieta, Hortensia, Larrea, Fiscal, Cecilia, and Anderina.
 Dividends—Aurore \$7.75 win and 3.50 place, Sinfonia 6.95 place, Azul 7.60 place.

PREMIO REMATE, for horses of three years and more that have been a year in the country. Weight for age. The winner to be sold for \$5000. Those entered to be sold for less to be allowed 3 kilos for each \$1000 reduction. 3 k extra for every win in a Premio Remate during the current year. \$2000 to the 1st, \$200 to the 2nd; 1600 metres.

Stud Revolucion Emir, by El Amigo—Empress, 4 y, 57 k.....F. Perez
 Stud La Alianza Orleans, 5 y., 57k.....S. Urrutia
 Petite Ecurie Nobleza, 4 y., 49 k.....I. Diaz
 Also ran—Alacran, Extra, and Molecula.
 Dividends—Emir, \$8.35 win and 3.65 place, Orleans 3 place.

PREMIO INICIACION, for colts and fillies born since 1st Aug. 18 Weight 55 and 53 kilos. \$8337 to the 1st, \$2245 to the 2nd, \$898 to the 3rd; 1600 metres.

Petite Ecurie Bonaparte, by Gay Hermit—Nesta 55 k
 I. Diaz
 do Parva, 53 k.....R. Gomez
 J. A. Fernandez Caprichoso, 55 k.....F. Perez
 Also ran—Princesa, ForEver, Cardal, and Sebastian Gom
 Dividends—Bonaparte and Parva, \$2.90 win and 2.35 place, Caprichoso 2.50 place.

PREMIO INDECIS, handicap for all horses, limited between 63 and 50 kilos. \$2500 to the 1st, \$250 to the 2nd; 1700 metres.

Ecurie Belgrano Omnium, by Orbit—Himalaya, 3 y, 53 k.....S. Urrutia
 Stud Sanducero Salto, 3 y., 60 k.....F. Conde
 Stud Oriel Orizon, 3 y., 56 k.....R. Garrido
 Also ran—Hidalga, Espina, Modesta, and Octubre.
 Dividends—Omnium, \$7.95 win and 4.50 place, Salto, 6.5 place.

PREMIO IMPERIO, handicap for horses of 3 years and more. \$1800 to the 1st, \$100 to the 2nd; 1200 metres.

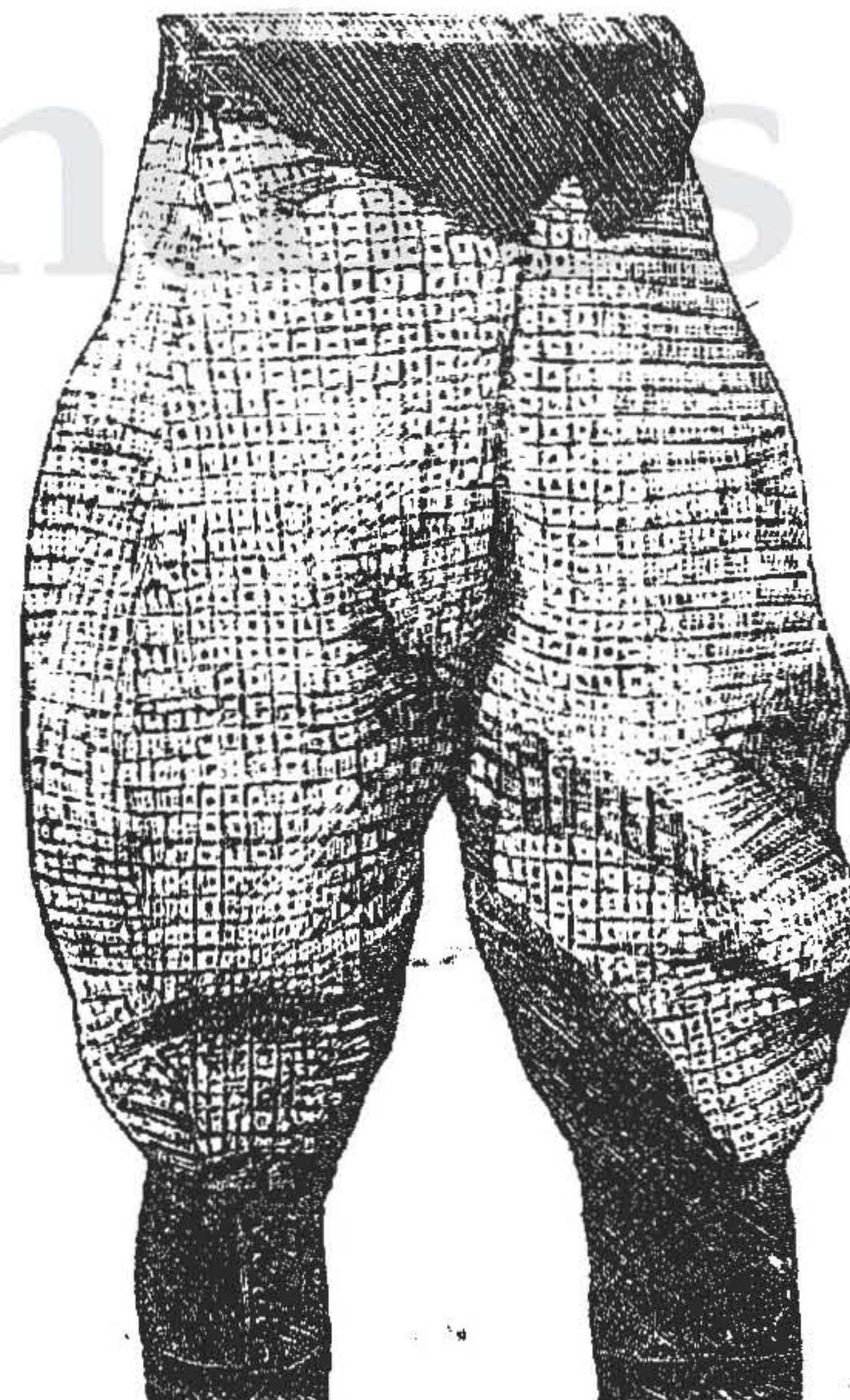
Ecurie Tapalque Travieso, by Orbit—Moissonneuse, 3 y., 53 k.....F. Percz
 Stud La Alianza Fortunio, 3 y., 59 k.....I. Diaz
 Ecurie Jupiter Abrojo, 4 y., 45 k.....Z. Lacruz
 Also ran—Mi Carta.
 Dividends—Travieso, \$7.60.

PREMIO ITUZAINGO, handicap for all horses. \$2200 to the 1st, \$200 to the 2nd; 2200 metres.

Stud America Florete, by Stiletto—Chanterelle, 3 y., 55 k.....R. Garrido
 Stud San José Guttemberg, 4 y., 49 k.....C. Bustos
 Petite Ecurie Amambay, 4 y., 45 k.....J. Feliú
 Also ran—Flageolet, Rayon d'Or, Lanza Seca, Casuarina Union, and Ayacucho.
 Dividends—Florete, \$11.00 win and 4.20 place, Guttemberg 2.95 place, Amambay, 5.70 place.

JAMES SMART

TAILORS



BREECHES

—AND—

HABIT

MAKERS

556 - Calle Piedad - 556

LADY'S SADDLE—Semi-Military, Colonial and Hunting Saddles—Bridles—Hide Girths—Hunting Crops—Dumb Jockey—Bags—Cabin Trunks—Guns—Rifles—Revolvers—Theodolite—Binocular Glasses—Fishing Rod—Milner Safe—Half-Plate Camera—Kodak—Gold Curb Bracelet. All A 1 RIX, 338 Cangallo

ALBION PRINTING PRESS

142

BOOKBINDING, LITHOGRAPHY and PRINTING OF EVERY DESCRIPTION **SAN MARTIN.**

vice to Athletes

When in Training
or Athletic Sports, Boat-racing,
Football, Bicycle-racing, etc.,

DON'T DRINK SPIRITS

Ask for



**And see
that you get it**

Compañía Cerveceria Bieckert

JUNCAL 817

RETIRO



A. Murray
TAILOR

Speciality in riding breeches and materials
for camp wear.

Cangallo 521 - Buenos Aires.

— AND —

Calle Chiclana 87 - Bahía Blanca.

Special Notice

OLD CHARR begs to inform his customers that he has received all the goods that Mr. Crockett measured for last November, also a large assortment of Gents', Ladies', and Childrens' Goods, and all of the finest quality.

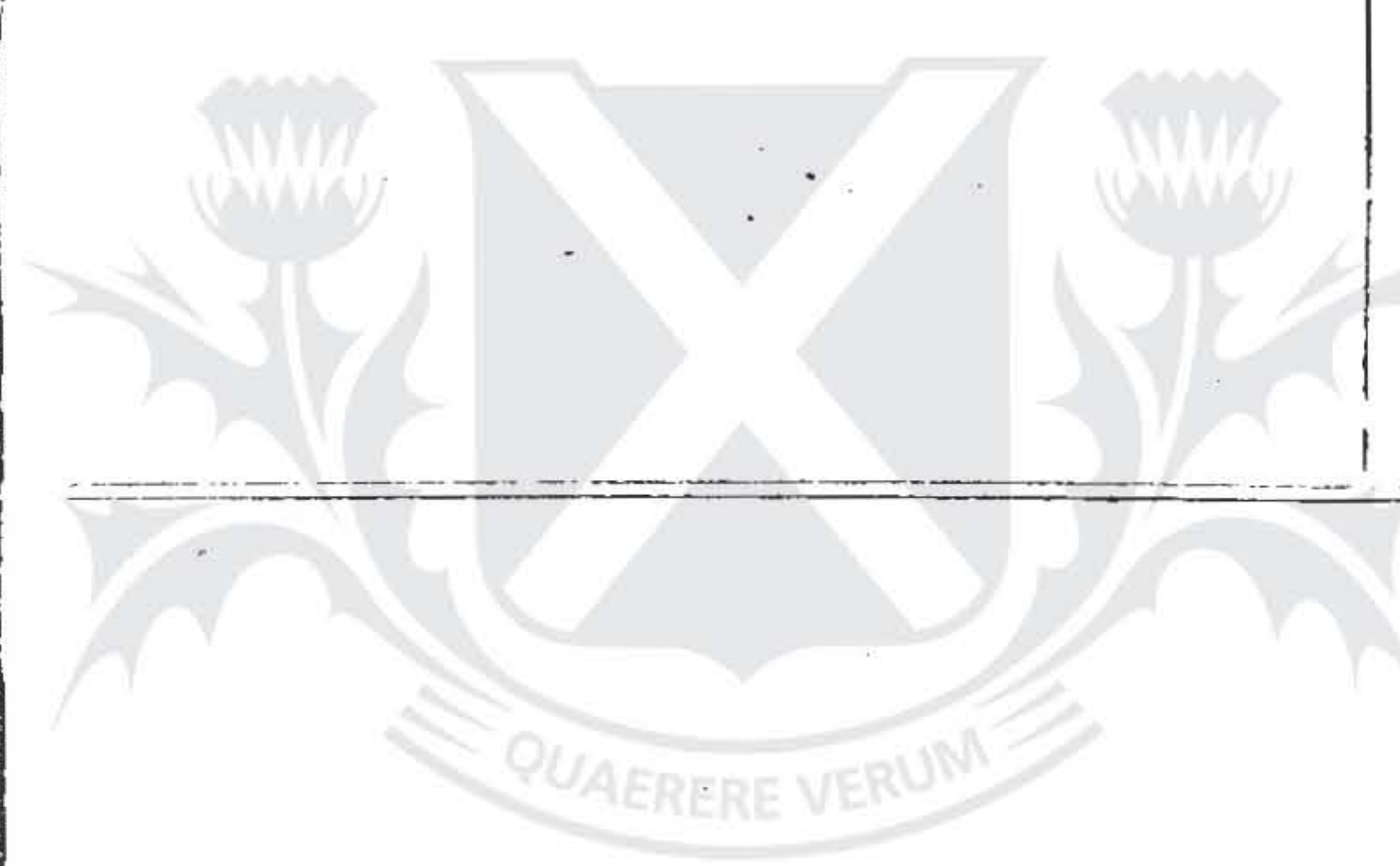
119 Calle SAN MARTIN
(ALTOS)

NOTICE

Belgrano Athletic Club

An Extraordinary General Meeting of the Members of the Club will be held in the English Club, Belgrano, on Thursday, 6th July, 1899, at 8 45 p.m., to discuss the ground question, and rule relating to admission of junior members. Members are particularly requested to attend.

J. R. STRATFORD FOX,
Hon. Sec.



Universidad de

San Andrés

Watch this space.

GATH & CHAVES

569 Piedad á Florida 107

**Rebaja de los precios
de confección**

	Precios anteriores	Precios nuevos
Sobretodos Casimir forro de seda	\$55.00	47.00
" Castor claros	70.00	65.00
" Extra largos	65.00	59.00
" Vista de seda	75.00	68.00
" Acolchados	62.00	57.00
Overcoat	51.00	42.00
Sobretodos Casimir forro de raso lana	33.00	29.00
Ulster con talma	52.00	47.00
" sin talma	41.00	37.00
Trajes de Corduroy	38.00	34.00
" Casimir color	50.00	44.00
" " azul	45.00	40.00
" " azul	42.00	38.00
Sacos vistas de seda y chalecos.	49.00	43.00
Bombachas Corduroy p. campo.	12.50	11.00
Pantalones Casimir fantasia	15.50	13.50
" " " "	12.50	9.00
Trajes Casimir para niño	21.00	15.00
Sobretodos Castor	33.00	22.00
Capas Cheviot	12.00	9.00

ENGLISH TAILORS

SURPLUS WINTER STOCK

Large Variety of Choice Designs

AT

GREATLY REDUCED PRICES

WEST-END CUTTER, RENOWNED FOR STYLE AND FIT

11 CALLE FLORIDA 11

STRONG'S

LAWN TENNIS.

QUILMES L.T.C.—CHAMPIONSHIP TOURNAMENT.

The finals of the above Championship tournament were played last Sunday, and produced some very close games. The score in the final of the Championship in no way represents the play, as each game was keenly contested and there were some splendid rallies.

The following are the details of the score:—

First Round—

Earle beat Lovett, 6-0, 6-1.
Troughton beat Pottinger, 6-4, 6-4.
Bailey beat Ritchie, 4-6, 6-2, 8-6.
Eaton beat Garrington, 6-5, 3-6, 6-1.
W. Cunningham beat Bethell, w.o.
Cordner beat Jordan, 6-2, 6-1.
E. Cunningham beat W. Patterson, 5-6, 6-3, 6-3.

Second Round—

Earle beat E. Cunningham, 6-3, 6-4,
Bailey beat Cordner, w.o.
Eaton beat Troughton, 6-1, 6-0.

Semi-Finals—

Earle beat W. Cunningham, 6-3, 6-1.
Bailey beat Eaton, 6-3, 6-5.

Final—

Earle beat Bailey, 6-3, 5-6, 6-2.

MEN'S HANDICAP DOUBLES TOURNAMENT.

First Round—

Jordan and Pottinger beat Hooper and Knight, 4-6, 6-1, 11-9.
Garrington and Cunningham beat Lovett and Troughton, 6-1, 6-5.
Earle and W. Cunningham beat Eaton and Turnbull, 6-4, 3-6, 7-5.
Torre and Patterson beat W. Patterson and Ritchie, 6-4, 6-3.

Second Round—

Garrington and E. Cunningham beat Pottinger and Jordan, 6-4, 6-5.
Torre and Patterson beat Earle and W. Cunningham, 6-5, 4-6, 6-4.

Final—

Torre and W. C. Patterson beat Garrington and E. Cunningham, 6-2, 6-5.

BUENOS AIRES LAWN TENNIS CLUB.

The annual "Birthday" Tournament was held at the Club courts on Thursday last 29th inst., and a very pleasant day was passed. The events were solely mixed doubles played as an American Tournament.

The Ladies on arrival drew for partners and the handicapping was at once proceeded with. We think the close results prove the judgment of the handicapping committee.

Luncheon provided by the club was served in George MacHardy's house, and tea was kindly given by Mrs. Holway.

The following are the results:—

Mrs. Gumpert and T. S. Boadle + 15....	57	games
Miss Thompson and H. H. Woodgate scr.	56	"
Miss M. Bcadle and A. Gumpert + 15.3..	51	"
Mrs. Mills and R. C. Jones + 15.....	51	"
Miss M. Chawner and A. Inglis + 3]6 15.	46	"
Mrs. Boadle and B. Goldsmid + 3]6 15...	45	"
Mrs. Wallace and F. L. E. Wallace + 3]6 15	44	"
Mrs. Goldsmid and T. V. M. Knox — 30..	44	"
Miss Payton and R. H. Roberts + 15....	38	"

CORRESPONDENCE.

POLO

To the Editor of the *River Plate Sport and Pastime*.

Estacion "Los Hermanos,"
San Cenaro, F.C.C. y R.

Dear Sir,— July 3rd, 1899.

Could not an official measurer of polo ponies be appointed as in England, whose certificate of height be recognised as final in all tournaments or race meetings held in the Argentine, and so avoid the unpleasantness of questioning one's friends' ponies in the event of their being successful and at the same time bar doubtful ponies from taking part in races and tournaments.

I am, Dear Sir
Yours faithfully,
F. E. KINCHANT.

ENGLISH RACING.

(FROM OUR OWN CORRESPONDENT.)

THE DERBY.

The Derby, which was otherwise a "one-horse" race—thru to one being laid on the Duke of Westminster's colt before the start—will be remembered with a melancholy interest by reason of the untimely end of the illused French horse, *Holocauste*. He had run a good horse in the French Derby on the Sunday, and pulled up quite fresh, having finished third solely through being shut in. Interest in his performance at Epsom was much increased when it became known that the American jockey, Sloan, was to ride the French horse *Holocauste*. A quarter of a mile from home the race lay between him and *Flying Fox*, when Sloan split his off fore pastern and had subsequently to be destroyed. The colt had not recovered from the effects of the knocking about incidental to his passage, and on the morning of the race looked far from fit. His owner, M. de Bremond, is described as a luck backer, who has just lately become an owner. His first purchase was *Bougie*, and her first foal won last year's French Derby for him. *Holocauste* was her second. Sloan is reported to have said "he was the greatest thoroughbred that ever stood on iron and that "he lost his life in the gamest race he (Sloan) ever rode. One backer took £300 to £3 about the horse being absolute last and the bookmaker declined to pay on the ground that as he had not passed the post he could not be deemed to be last, but the matter was referred to friendly arbitration and decided in favour of the backer. *Flying Fox* is a big inexperienced baby, and it is impossible to say whether he is merely a good horse or a wonder. The cheering was most enthusiastic when the Duke of Westminster led him into the weighing room enclosure, but the excitement naturally was small compared with what it would have been had the French horse plus, the American jockey stood up to make a close fight of it. There seems to be a good deal of sympathy for the horse and very little for his owner. Desmond was permitted to be absent from parade and canter and although all were weighed out in very good time, they did not leave the paddock until considerably after the hour fixed for the start. *Holocauste* led the parade, followed by *Oppressor*, *Ballyleck*, and *Scintillant*, with *Flying Fox* bringing up the rear. In the same order they cantered and then joined Desmond at the post, where owing to several breaks away in which *Flying Fox* and *Beautiwick* were prominent, they were not despatched until ten minutes to four. *Flying Fox* got away in front of *Beautiwick* and *Holocauste*, with Sir Reginald, *Scintillant*, *Oppressor*, *Damocles* and *My Boy* next, and *Ballyleck* and Desmond the last two. *Holocauste* took up the running when they had gone about 300 yards followed by *Flying Fox*, *Beautiwick*, and Sir Reginald, then came *Oppressor*, *Innocence*, *Damocles*, and *Why Boy*, with *Scintillant*, *Desmond* and *Ballyleck* the last three. At the mile post *Holocauste* still led, with *Flying Fox* and Sir Reginald in attendance. Descending the hill to Tattenham corner, *Holocauste* held a slight lead of *Flying Fox*, and they entered the straight together, in advance of *Innocence*, *Damocles*, *Oppressor*, and *My Boy*. When fairly in the line for home, *Flying Fox* joined *Holocauste*, with *Innocence* and *Damocles* next. A little more than a quarter of a mile from home, just as *Flying Fox* was heading *Holocauste* the latter came down with his off fore pastern smashed. At the distance, *Damocles* became second, but failed to reach *Flying Fox*, who won by two lengths, one length between second and third. *Innocence* was third, *My Boy* fourth, *Oppressor* fifth, *Desmond* sixth, Sir Reginald seventh, *Ballyleck* eighth, *Scintillant* ninth, *Beautiwick* tenth, and *Matoppo* last. Time 2 min. 42 4-5 secs. A statement has been made since the race that *Flying Fox*, passing outside *Holocauste*, who was next the rails, kicked him and inflicted the injury which put him out of the race. About this there is considerable diversity of opinion.

THE OAKS.

On Friday, in delightful weather, the Oaks brought out the same number of runners as the Derby on Wednesday. *Sibola*, the One Thousand winner, was almost as hot a favourite as the Duke of Westminster's horse in the colt's race, but fillies at this time of year are proverbially uncertain, and she failed to justify the confidence reposed in her. She got badly away and Sloan sent her along to such purpose that when it came to a pinch at the finish, gamely as she ran, she had not steam enough left to catch Mr. Douglas Baird's *Musa*, who beat her a head.

Fair Huguenot led the canter, which was whipped in by Queen Fairy, Fairy Gold and Janitza taking no part in it or in the parade.

Corposant was first away, at about 3.15, followed by Queen Fairy, Reminiscence, Fair Huguenot, Fairy Gold, Santa Casa, Victoria May, Janitza, Galopin Lassie, Princess Mary, and *Sibola* last. At the Mile Post, Corposant and Fair Huguenot were followed by Fairy Queen, with Reminiscence, Santa Casa, Fairy

Gold, Sibola, and Musa; Janitza being a long way in the rear. At the top of the hill Sibola was raced up to Corposant, and the two came away from Queen Fairy, Fairy Gold, and Santa Casa: then followed Musa, Victoria May, Reminiscence, Princess Mary and Galopin Lassie, with Janitza tailed off refusing to gallop. After entering the straight Corposant was beaten, and Musa assumed command. Sibola challenged but could not quite get up, Corposant a length and a half off was third, Princess Mary fourth, Galopin Lassie fifth, and Victoria May sixth. Time, 2 min. 44 secs.

CRICKET.

ENGLAND v. AUSTRALIA.

(FROM OUR OWN CORRESPONDENT.)

The first All England-Australia test match was begun at Trent Bridge, Nottingham, before a large and enthusiastic crowd. The Colonists, who seemed to hold the English bowling in great respect, remained all day in possession, compiling 238 runs for the loss of eight wickets. Iredale, Trumper and Howell gave a poor display of batting, the former, although he remained in half-an-hour, never being at home with the bowling.

Gregory played the best innings of his side, making his 48 runs in about an hour and three quarters; Darling and Noble taking 20 minutes longer. Hill, who alone reached the half century, was run out by a magnificent bit of work by Tyldesley and Storer. Hayward dismissed Iredale and Howell with absolutely brilliant catches, and all round the fielding was excellent. Hearne did some fine bowling, sending down 54 overs, 20 maidens, for 64 runs and 4 wickets. In the last twenty minutes play three wickets, Kelly, Trumper and Howell, fell with the total unaltered. On Friday, twenty minutes more sufficed to close the innings, Rhodes securing two additional wickets at a trifling cost, and all being out for 252, which did not seem too big a total for a fine batting team to beat. However, the Englishmen were all disposed of for 193; Jones having a wonderful spell of success in his last few overs, during which he took three wickets for 15 runs. C. B. Fry played the only brilliant innings of the side; whereas Ranjitsinhji began nervously, and only later on played in anything like form.

The Australians began their second innings in a style diametrically opposite to that adopted in their first, and in an hour and a half had run up 93 for one wicket, Noble being 38 not out and Hill 40 not out. Rhodes bowled Darling for 14 when 18 was on the board. During the English innings the wicketkeeping of Kelly was admirable, and the fielding of Jones, Noble, Darling, Laver, and Trumper, and on the other side of Fry and Ranjitsinhji was conspicuous. Jackson, Hirst, Grace, Hayward, Rhodes, and Hearne, were all given a turn with the ball against Noble and Hill, but without avail, and at the close of play they were still together. Gregory split his hand in stopping a hard drive from Ranjitsinhji and had to be relieved by McLeod.

On Saturday, the Australians declared at 230 for eight wickets, and notwithstanding their advantage failed to beat England, a result mainly due to Ranjitsinhji, who was ably seconded by Hayward and Tyldesley. Ranjitsinhji, who had to face an almost hopeless position, played a magnificent innings of 93 not out, giving only one difficult chance to square leg when he had made 29. When he went in after lunch to play for a draw, England had lost four of her best wickets for 19, W. G. and Jackson having retired, clean bowled, in Howell's second over, with only one up. At ten Gunn was sent back for 3, and Fry, skying a ball to mid-off, four of the best bats in England were out for 19. There were more than two and a half hours left for play, and with the Australians fielding grandly the prospects of saving the game seemed remote indeed. Ranji and Hayward playing with remarkable skill, added 63 runs in an hour and a half. At a quarter past five Trumble bowled Hayward, with the total at 82, and Tyldesley joined the Prince, who continued to hit away in magnificent style, and Australia's chance of victory faded away before the skilful defence of the Lancashire professional. Fifty-eight runs were put on during Tyldesley's stay, and when 140 had been telegraphed, he was taken at the wicket by Kelly off Trumble. Stumps were drawn at twenty-five minutes past six, Storer, having in the meantime scored three and got in front to one from Jones. It is unnecessary to state that Ranjitsinhji was heartily cheered as he ran back to the pavilion, everybody rising as he went up the steps. Even then the crowd were not content, but insisted on his coming out again to receive their applause. He had unquestionably saved England from defeat. Full score:—

Australia.	1st inn	2nd inn
J. Darling (South Australia), Capt.		
b Hearne.....	47	b Rhodes..... 14
F. A. Iredale (New South Wales)		
c Hayward b Hearne.....	6	run out..... 20
M. A. Noble (New South Wales)		
b Rhodes.....	41	l b w b Rhodes..... 45

S. E. Gregory (New South Wales)			
b Hirst.....	48	{	did not bat
C. Hill (South Australia) run out.	52	c Grace b Jackson.....	80
V. Trumper (New South Wales)			
b Hearne.....	0	b Jackson.....	11
J. J. Kelly (New South Wales) c			
Hirst b Hearne.....	26	not out.....	11
F. Laver (Victoria) b Rhodes.....	3	b Jackson.....	3
W. P. Howell (New South Wales)			
c Hayward b Rhodes.....	0	not out.....	4
H. Trumble (Victoria) not out....	16	c Ranjitsinhji b Rhodes	38
Jones (South Australia) c Fry b			
Rhodes.....	4	c Ranjitsinhji b Hearne	3
Extras.....	9	Extras.....	1
Total.....		Total (for 8 wkts)....	
252		*230	
* Innings declared closed			

England.	1st inn	2nd inn	
W. G. Grace (Gloucestershire),			
Capt. c Kelly b Noble.....	28	b Howell..... 1	
C. B. Fry (Sussex) b Jones.....	50	c Jones b Trumble... 9	
F. S. Jackson (Yorkshire) c Dar-			
ling b Noble.....	8	b Howell..... 0	
W. Gunn (Notts) b Jones.....	14	b Jones..... 3	
K. S. Ranjitsinhji (Sussex) b Jones	42	not out..... 93	
Hayward, T. (Surrey) run out... 0		b Trumble..... 28	
J. T. Tyldesley, (Lancashire) c			
Laver b Howell.....	22	c Kelly b Trumble.... 10	
W. Storer (Daybyshire) b Jones.	4	l b w b Jones..... 3	
J. H. Hirst (Yorkshire) b Howell	6		
W. Rhodes (Yorkshire) c Kelly b			
Jones.....	6	did not bat	
J. T. Hearne (Middlesex) not out	4		
Extras.....	9	Extras..... 8	
Total.....		Total (for 7 wkts).155	
193			

BOWLING ANALYSIS Australia.—First Innings.

	O	M	R	W
Rhodes.....	35.2	13	58	4
Hearne.....	59	28	71	4
Grace.....	20	8	31	0
Hirst.....	24	9	41	1
Jackson.....	11	3	27	0
Hayward.....	3	0	14	0

Second Innings.

Rhodes.....	20	3	60	3
Hearne.....	29	10	70	1
Hayward.....	6	2	16	0
Jackson.....	26	8	57	3
Hirst.....	11	4	20	0
Grace.....	1	0	6	0

England.—First Innings.

Jones.....	33	6	88	5
Howell.....	28.4	12	43	2
Trumble.....	13	7	17	0
Noble.....	16	4	36	2

Jones delivered five, and Trumble one no ball.

Second Innings.

Jones.....	22	9	81	2
Howell.....	37	18	54	2
Trumble.....	29	16	39	3
Noble.....	11	5	23	0

Trumble bowled two no balls, and Noble one wide.

Bs. Aires Western Railway

WINTER TIME TABLE.

Leave Once for Caballito and Flores.

A.M.: 6.00, 6.30, 7.15, 8.30, 9.00, 9.30, 10.00, 10.45, 11.40.
P.M.: 12.30, 1.30, 2.30, 3.15, 3.45, 4.15, 5.00, 5.30, 6.00, 6.30, 7.00, 8.00, 9.15, 10.30, 11.30, 12.30.

Leave Flores for Once.

A.M.: 5.59, 6.39, 7.19, 7.49, 8.19, 8.49, 9.20, 9.49, 10.19, 10.49, 11.20, 12.04, 12.49.
P.M.: 1.49, 2.49, 3.34, 4.14, 4.49, 5.34, *6.09, 6.34, 7.24, 7.54, 8.24, 9.19, 10.34, 11.19, 11.59.

Leave Caballito for Once.

A.M.: 6.03, 6.43, 7.23, 7.53, 8.23, 8.53, 9.53, 10.23, 10.53, 12.08, 12.53.
P.M.: 1.53, 2.53, 3.38, 4.18, 4.53, 5.38, *6.13, 6.38, 7.28, 8.28, 9.23, 10.38, 11.23, 12.03.

* Sundays and Feast Days.

David Smsen, General Manager.

TO CORRESPONDENTS

All communications should be addressed to THE EDITOR, RIVER PLATE SPORT AND PASTIME, PIEDAD 559, BUENOS AIRES. The writer's name and address are required with all letters, but not for publication, unless desired. Letters and inquiries from anonymous correspondents will not receive attention.

Advertisements, orders for papers, etc., should be addressed to PIEDAD 559, BUENOS AIRES, and should be kept distinct from communications intended for the Editorial Department.

AGENTS.

Papeleria Inglesa Cordoba 1088, ROSARIO
A. J. PENTREATH Calle Zabala 91a, MONTEVIDEO
London Agents: Messrs BATES, HENDY & Co.,
St Cannon Street, London, E.C.
From whom back numbers of this paper can be obtained.

TERMS OF SUBSCRIPTION.

Town (12 months)	\$15 m/n
Montevideo (12 months)	16 m/n
Camp, post free (12 months)	16 m/n
Europe	1 guinea

All orders to be accompanied by subscriptions, which are payable in advance.

Proprietor and Editor J. O. ANDERSON.

WEDNESDAY, JULY 5, 1899.

NOTES.

The race-meeting at Hurlingham on the 29th ult., was well attended, and except for the wind, the weather was all that could be desired. The committee have been so exceedingly unfortunate with their race-meetings and bad weather, that everyone rejoiced when Thursday last turned out fine and all the morning trains were crowded with visitors, all of whom enjoyed their day immensely and voted the meeting a great success.

The feature of the meeting was, of course, the extraordinary success of Dice Box, who actually placed four out of the six races to his credit. He has thus established a record for Hurlingham, indeed we have never heard of a similar performance on any other course. In the last race he carried eighty-two kilos (12 st 12 lb) against fresh ponies, and won comfortably. On each occasion he was brought home by Mr. F. J. Balfour, by whom he was admirably handled.

This smart pony, of whom we gave a description last week, was the best pony of his year in Montevideo as a three-year-old, where he was known as Dictador. After coming over to this side his name was changed to Juan Manuel, under which he ran two or three times at Belgrano or Palermo, but did nothing. He was evidently badly treated for he got the reputation of having a bad temper and of being a non-tryer.

Being placed in Mr. F. J. Balfour's hands this gentleman took him to his excellent place at Hurlingham, where probably the best boxes in this country are to be found, and where there is a private gallop over a mile round, in other words just the place to train a nervous or excitable horse or one that has become stale. Under Mr. Balfour's care he rapidly improved and was found to be a perfect tempered pony, and his performances last Thursday speak for themselves as to the condition in which the pony was turned out.

Although the principal events do not commence till August, the Classics for July are interesting enough. On the 9th is run the Premio Chacabuco 3000 metres. Weight for age, Prize \$6000. In the entries are the names of Purran, Omnium, Ovacion, Brick, Orange, Gonin, Pillito, Le Sancy, Tom Pouce, Filou, and Yerba Amarga, with others of less note. Here we have a fine chance of another good race, and of comparison for the future, though of course all will not run. The Premio Maipú 1200 m.

on the 16th will give the youngsters their first opportunity of measuring themselves with the older horses and Mago, Caprichoso, Parva, Vivaracho, etc., will meet Balcarce, Coquimbo, Austerlitz, Travieso, Ecarté, Friolera, Don Pepe, Cacique, etc., and the result will be looked for with much interest, as it is weight for age with no penalties.

This year's colts have been in danger of losing their best representative in Dictador, who has suffered a sudden attack of illness, but is now better, and we shall hope to see him out again before long. The presumably next best, Bonaparte, was very nearly beaten by Caprichoso in the Premio Iniciacion, and it seems probable that he reaches the end of his tether in a Mile. His companion, Parva made a better show as regards staying power, coming up to his assistance with great vigour when the result seemed to be in doubt, and the Petite Ecurie with these two, Thetis and Vivaracho, hold a stronger hand among the youngsters than any other stable, so far.

Our appreciations of the respective merits of the classes of 1897 and '98, in which we have always maintained the superiority of the former, have so far been completely borne out, as in every race of any importance this year in which they have met, a four-year-old has won. This has come about through the instrumentality of Pillito, Gonin and Yerba Amarga, who have now beaten all their younger rivals. The only three-year olds which might bear the palm from these champions are the two Oriental colts, Euskaro and Salto. The first named, who undoubtedly is a match for anything, is unfortunately debarred from competing in the big races, but the latter though he has been beaten several times shewed such form on Sunday in the Premio Indécis, when with 60 k. against 58 k. he ran Omnium to a head in 1700 metres, that he may yet give us a surprise.

The representatives of the Rosario Golf Club, who have recently played matches here against the Lomas, Flores and Buenos Aires Clubs, although defeated in all three matches, had a very pleasant time and enjoyed their visit immensely. We had been promised the scores of all the matches in detail, but we very much regret to say that at the time of going to press they have not come to hand, so we must wait until next week before publishing them.

We hear of a fine bag of hares having been made recently by Major Porteous and nine other guns, one of whom was unable to shoot much after the first hour, having fallen and twisted his knee. Up to luncheon the bag was ninety-nine hares, and after lunch, shooting up to four o'clock in the afternoon, it amounted to three hundred and fifty-four hares, and about eighty martinetas and partridges, but the latter number might have been very greatly augmented had the members of the party cared to shoot them, but they were spared.

In another Column may be found the results of the ties in the Quilmes Lawn-tennis Club's Championship Tournament, the finals of which were played last Sunday. Some exceedingly close games were played, and the final between Messrs. Earle and Bailey, which was won by the former, was well fought out, and there was not much to choose between them, although the scores convey a different impression.

By the way members of the above club are reminded that the annual general meeting will be held on Tuesday next the 11th inst., in the school-room, Calle 3 de Febrero, at 8.30 p. m., when the Championship Cup and prizes for the recent tournament will be presented. As the annual reports will be read and the officers for the coming year will be elected, it is hoped that as many members as possible will attend.

A famous greyhound has gone to his happy hunting-grounds in Fullerton, who was four times the winner of the Waterloo Cup, and for whom the late Col. North gave

850 guineas. The dog had a sensational life altogether, for, after being taken out of training, he was sent to Col. North's place, at Eltham, but he longed for his old home at Short Flatt Tower, and took an opportunity to escape, it was thought with a view to finding it, but London blocked the way. A reward of £50 was offered, and, after several days, the dog was found by a postman on a doorstep, half dead. The latter took him to his home, and was told by a coachman that the dog was doubtless the one advertised for. Col. North gave the postman £40 and the coachman £10. Then, again, on being put to the stud, at a fee of 50 guineas, it was found that he could not get stock. He was not sold when Col. North's kennel was disposed of, but was sent to his old master and breeder, Mr. Edward Dent, and he lived to the good old age (for a dog) of twelve years. His skin is to be stuffed and set up in the South Kensington Museum.

* * *

The match in the Association League between Lobos and Lanús, played last Thursday on the ground of the latter club, caused considerable interest, as both teams were known to be fairly equally matched. The result proved this to be the case, as Lobos won by the narrow margin of one goal to none. Although so close the play was by no means up to the mark, and except for a few brilliant pieces of combination the old kick and rush tactics were far too much indulged in by both sets of forwards. The shooting was also very weak and well directed shots were the exception and not the rule. This result places Lobos second on the list, a position they will have to fight hard to retain.

* * *

The Belgrano Athletic Club is to be congratulated on being the first one to arrange home and home fixtures with the Rosario A.C. in Association Football. The Northern Club sent down a good team last Thursday which more than held its own with the Belgrano representatives, who were defeated, after a good game, by three goals to none. As the Rosario Club has such an excellent team at its command this year, it is to be hoped that more of our League teams will try and arrange matches with them, but they must be quick about it for the season is already advanced.

* * *

With football looking up in Rosario, as it certainly is this season, it seems a pity that the Association League committee cannot see their way to making some arrangement similar to that which the Rugby Championship committee have made, namely to arrange matters so that the Rosario team should only have to play the two leading clubs in the League. It would probably prove somewhat more difficult than the Rugby men found it, but still we think it might be done, and we feel sure that all lovers of the Association game would like to see it.

* * *

As we anticipated, the match in the Rugby Championship between the Belgrano A.C. and the B.A.F.C. produced a fine struggle, and it was anybody's game up to the very last. Unfortunately the game was marred by an unlucky accident to Mr. J. Hardman, who, we regret to say, got his ankle very badly hurt, and it is feared that the injury he has sustained may keep him on his back for some little time. We are very glad to state, however, that Mr. Hardman is getting on very well, and we shall hope to see him about again before long.

* * *

Like the match the previous Thursday between Belgrano and Lomas, the game, although close and finely contested, was disappointing from a spectator's point of view. Of course the loss of a hardworking forward like Mr. Hardman from the scrummages made a great difference, but even so the remaining seven might have made a better show against the Belgrano pack than they did, had they all gone to work in the proper manner. As it was the home forwards were vastly superior both in the scrummages and in the open, and it was only the stubborn defence shown by the visitors that saved them from a bigger defeat.

First and foremost in this respect must be mentioned Mr. E. L. Rumboll, whose saving was quite the feature of the match. Time after time he took the ball from the feet of the opposing forwards, and placed it with a clever punt into touch, while he initiated nearly all the passing movements among the outsides. The play of the Belgrano forwards, although intentionally selfish, as far as their outsides were concerned, was deserving of all praise, and they have certainly never given a better exhibition. On the day's play the better team won, but the visitors, with one man short, offered a splendid resistance, and are to be congratulated on the plucky fight they made of it.

* * *

As was generally expected, after he had accepted a salaried position at the Crystal Palace, Dr. W. G. Grace has resigned the captaincy of the Gloucestershire County Cricket Club, and his resignation has been accepted. Locally, it is said, his resignation is not regarded as a great loss, for Mr. Troup, who succeeds W. G., is exceedingly popular, while in future the county eleven will be chosen by a selection committee, which will put an end to all cavilling in this direction.

* * *

Our last mails bring us the details of the first of the five great test matches, and these conclusively prove what a fine all-round team Darling has under his command. Every single member of the Australian eleven justified his selection, which cannot be said of their opponents, while there can be no question that their attack was very much more formidable than that of the Englishmen. The Australians played very slow cricket on the first day which probably was the cause of the match ending in a draw. Prince Ranjitsinhji again came to the front and saved his side by carrying his bat in the second innings for a superbly played ninety-three.

* * *

The excellence of this performance of the Prince's cannot be overrated. To quote Cricket it may pretty safely be said that no two batsmen were ever placed in a more trying position than Hayward and Ranjitsinhji. With W. G., Jackson, Gunn and Fry all out for only fourteen runs, and with yet two hours to play, and with the Australians playing up for all they were worth, Ranji stood out master of the situation, and hit the bowling all over the field. In the end England, with three wickets left, still wanted a hundred and thirty-five runs to win.

* * *

The numerous Old Bedfordians here will rejoice to read of the magnificent score compiled by Mr. A.O. Jones for Notts against Gloucestershire. Going in first with Arthur Shrewsbury the two put on 391 runs before being separated, which constitutes a record for Notts. Our old friend's share of these was 250, made by grand cricket and containing thirty-two fours, eight threes and twenty-two twos. Until he was well past his hundred he never made a mistake but was a little lucky towards the close. All his old schoolfellows here follow his scores with great interest and they will join me in wishing that this fine performance may be the forerunner of many more long scores.

FOOTBALL.

RUGBY.

B.A.F.C. v. BELGRANO A.C.

The above clubs played off their return fixture in the Rugby Championship last Sunday at Belgrano, before a large number of enthusiastic spectators. The ground was in good order for a fast game, but the weather was a little too warm. Much interest was centred in this match, as had B. A. won, the old club would have finished easily first, as it is everything depends on the result of the meeting of the Belgrano and Lomas teams on the 16th inst., when if the latter win the three teams will be exactly equal in points.

The visitors having lost the toss, Bellamy kicked off at 3.17 p. m. and the return being weak play at once settled down in the home half. Almost from the first scrum formed it was apparent that forward at any rate, the home team were the stronger, and the visitors were gradually forced back into their

own territory. Playing with plenty of dash the Belgrano forwards broke away time after time and eventually penned their opponents in almost on their goal-line. Rumboll at length brought relief but it was short-lived as the ball was soon back in the B. A. twenty-five, where after some exciting play the visitors were forced to touch down in self defence. After the kick out B. A. went off with a burst and play ensued in mid-field. Here B. A. was having the best of matters, when most unfortunately Hardman, one of the heaviest of the visitors' forwards, got his ankle seriously hurt and had to retire, this happening thirteen minutes from the start. After a delay of four minutes play was resumed well inside the home half. From a throw in from touch Bagley got well away and was not pulled up until he reached the full-back, Nixon making a good tackle, and there being no one backing up, the chance was lost. After this play was quickly changed from end to end, the home team having most of the game, the wind assisting their kicks, but when the whistle sounded for half-time the score sheet still remained blank.

After a rather longer interval than usual, the game was resumed, play at once settling down in the home lines, where B. A. looked dangerous, and the forwards heeling well it looked as though the visitors meant business, but Dobson let the ball go between his legs, and Edye getting on to it got in a flying kick which found touch in the visitors' side of half-way. This was somewhat disheartening for B. A. and in the ensuing scrummages the home forwards had all the best of it and gradually B. A. were forced back, until only a few yards from their own goal line. Here the visiting forwards made desperate efforts to save the situation and looked like so doing when the ball went out to Vernon, who, after being badly missed three times, scored a good try for Belgrano. Williams took the kick and easily converted. This reverse had a good effect on the visitors, who began to press at once. W. D. Campbell went forward leaving three three-quarters to face four, but the manœuvre answered excellently and his presence was soon felt among the forwards. Playing up hard B. A. forced their way into their opponents' twenty-five, where from a scrumage, Rumboll swung out a beautiful pass to J. O. Anderson, who getting off smartly, dodged through all his opponents and grounded the ball about a couple of yards from the posts. The kick was an easy one, but was too hurriedly taken and the ball just passed outside the left hand side post. This left Belgrano with a lead of two points which the visitors worked hard to reduce, but to no purpose, and when time was called the lead was still retained.

B. A. were most unfortunate in losing one of their forwards early in the game, and all credit is due to them for their plucky fight, but on the day's play the better team won. Gilderdale, F. Corry-Smith, and Bagley were conspicuous forward, while Rumboll simply surpassed himself and saved grandly, his companion was off-colour.

For the winners, Williams, Roberts, and im Thurn worked splendidly forward and were well backed up. Nixon behind tackled well and kicked with judgment, while Vernon had to be carefully watched.

The teams were as follow:—

B. A. F. C.—

Back—J. O. Anderson.

Three-quarter backs—W. D. Campbell, J. Campbell, R. Gibbs, H. Wilson.

Half-backs—E. L. Rumboll, H. Dobson.

Forwards—J. C. Bellamy, M. F. Gilderdale, F. Corry-Smith, J. Hardman, M. Bagley, G. Blagden, R. Blagden, F. Diehl.

Belgrano A. C.—

Back—C. Nixon.

Three-quarter backs—J. H. Webster, C. Tulley, C. J. N. Carter, A. Vernon.

Half-backs—J. H. Tapper, F. P. Bouwer.

Forwards—A. C. Williams, A. im Thurn, H. A. Roberts, M. Whitworth, C. Edye, P. J. Woolf, Lyons, A. Brodie.

Referee—Mr L. Corry-Smith.

Linesmen—Messrs W. R. S. Baikie and J. W. Taylor.

RIVER PLATE RUGBY UNION CHAMPIONSHIP. FIXTURES, 1899.

JULY.

Sun. 9—Flores v. Lomas, at Flores.

Sun. 16—Lomas v. Belgrano, at Lomas.

Sun. 16 or 23—Rosario v. "Runners Up," for the Cup.

Sun. 30—Final, for the Cup.

ASSOCIATION.

ROSARIO A. C. v. BELGRANO A. C.

Our Northern friends paid their first visit to Buenos Aires on Thursday last, when they met and defeated the Belgrano club. There was a good attendance of spectators, but unfortunately there was a strong breeze blowing, which gave each

side an advantage in turn. The visitors had undoubtedly the best of the game and at all points of the game showed their superiority. It is only fair to state that the home team were without one or two of their regular members, so that their lack of combination may be put down to this cause. The Rosario team are a good level lot, their forwards combining well and their back division being very safe. Penman was as much in evidence as ever and was well backed up by his "confrères." The Rosario captain won the toss and decided to play with the wind. As soon as the ball was set in motion it found its way behind the Belgrano goal-line, and after the kick-out it was again taken back, the final shot going too high. Again kicking out the home forwards got away with the ball and worked their way to their opponents' quarters where Boardman was called upon to handle. A free-kick against Rosario left play about mid-field. Give and take play followed neither side having any advantage, until Penman got a long kick in and once again the ball crossed the Belgrano goal-line. From the kick-out nothing of note occurred until the visiting forwards got possession and rushed the ball into their opponents' lines when a corner was forced, with no result. From the kick-off Rosario again attacked but the final shot again went high. Belgrano now had a look in and the forwards getting together twice threatened danger but the chances were thrown away and the visitors retaliating forced another corner, from which Jacobs opened the scoring with a neat shot. After the kick-off Rosario again attacked and were able to claim another corner but the ball was sent behind. Belgrano now woke up and made some determined efforts to score but although the visiting custodian was called on to save the home forwards were unable to pierce the defence offered them. Rosario next had a turn and within a short space of time had three corner kicks granted them, all to no purpose and from the last the home team came nicely away and in turn secured a corner kick which went behind. Half-time was now approaching and Belgrano tried hard to draw level, N. Dickinson having a couple of shots, one going over the crossbar and the other striking the upright, after which Rosario came away with an irresistible rush and Newell was able to score their second goal, the whistle sounding for half-time directly afterwards.

On restarting the home players, with the wind behind them, at once commenced to press their adversaries and very soon obtained a corner, which came to nothing. In no way daunted the Belgrano men returned to the charge and, with two free kicks allowed them close to their opponents' goal, should certainly have broken through but failed to do so, the Rosario backs clearing well, but they were not allowed to rest, for the home forwards working admirably were soon back and an exciting scrumage right in front of the Rosario goal ensued, but again the visiting backs were equal to the calls made on them and Rosario in turn attacked. Before long Belgrano again began to cause the visitors uneasiness first E. Dickinson and then Ratcliffe making unsuccessful efforts to score, after which the home custodian was called upon to use his hands and clearing safely the Rosario goal was again placed in danger, but again the backs cleared and the visitors breaking smartly away Newell was enabled to place the ball in the net for the third and last time, Rosario being left victorious by three goals to none.

As we have said the Belgrano front rank seemed hardly up to their usual form probably for the reason we have given.

The visitors played a sound game and quite deserved their victory.

Mr. Botting kindly undertook the duties of referee.

The following were the teams:—

Rosario—

Goal—F. W. Boardman.

Backs—W. S. Penman, W. Shimield.

Half-backs—H. Middleton, L. Jacobs, S. Angel.

Forwards—G. Topping, A. le Bas, C. Newell, W. Robinson, F. Clarke.

Belgrano—

Goal—R. D. Barker.

Backs—A. C. Addecott, and G. L. Macfarlane.

Halves—H. J. Fraser, H. T. Ratcliffe, and G. Stalker.

Forwards—P. C. Sly, C. E. Dickinson, F. C. Wibberley, J. W. Baldock, and G. N. Dickinson.

LOBOS A. C. v. LANÚS A. C.

The above teams met at Lanús on Thursday last to play off their League fixture. Considerable interest was evinced in this meeting for both teams were known to be of very even strength and the winners would also obtain the second position in the League table. A good number of spectators put in an appearance and these, although witnessing a close struggle, must have been disappointed at the form shown, and by no possible means could the play be described as scientific and good combination and accurate shooting were conspicuous by their absence.

Lobos won the toss and decided to play towards the Banfield end goal. From the kick-off the home forwards at once attacked

but the final shot by Comber went too high. From the kick out they again brought the ball into the Lobos quarters, but the backs were not to be caught napping and relieved well, the ball going out to Negron who got well away and gave Brown a shot to stop which he did, but not clearing safely a smart attack ended in the ball being kicked over the cross-bar. From the goal-kick the ball found its way to W. Leslie, who, dribbling cleverly, dodged the opposing half-backs and put in a good shot which gave Brown considerable trouble to save, but which he managed eventually to do, and Leonard getting possession made a single handed run down to his opponents' lines where he was pulled up by Moore, who gave the ball to his forwards and they getting off smartly were soon in Lanús territory where after some exciting play E. Moore found the net, thus giving the visitors the lead. Almost directly afterwards the whistle sounded for half-time. After the usual interval the game was resumed, and it was at once apparent that the home team meant to lose no time in bringing the scores level. Time after time they went off with a good rush which was generally spoilt by very poor shooting. Well backed up by their back-division the Lanús forwards continued to attack and at length forced a corner which was well taken, but put out of harm's way by Levy, who headed it out, and enabled Buchanan to get in a good kick which gave Negron a chance which he took, and after running it down the wing centred to Moore who was pulled up by the referee for being off-side.

After this Lobos slowly but surely began to regain the upper hand, and more than once looked like scoring, and it was only the excellent defence of the home backs that stopped them doing so. Before time was called Lanús made one more desperate attempt to draw level but off-side tactics spoilt, what looked like, a good opening. Eventually the whistle sounded for time leaving Lobos victorious by one goal to one.

The play of the back-divisions was far in advance of the forwards, who seemed very wild and erratic and many good chances were thrown away.

Mr B. B. Syer kindly acted as referee.

The following were the teams:—

Lanús—

Goal—C. Brown.

Backs—T. Ireland, J. Wright.

Half-backs—O. Baldrick, T. Bridge, W. Dunne.

Forwards—G. Tannahill, T. Brown, S. Leonard, G. Brown,

C. P. C. Comber.

Lobos—

Goal—J. McKechnie.

Backs—T. Moore, W. Buchanan.

Half-backs—T. Cavanagh, W. Leslie, P. McCarthy.

Forwards—R. Levy, J. Moore, C. Buchanan, E. Moore, J.

Negron.

ARGENTINE ASSOCIATION FOOTBALL LEAGUE.

FIXTURES, 1899.

JULY.

Sun. 9—Lanús v. Belgrano, at Belgrano.

Sun. 16—Belgrano v. Lomas, at Lomas.

Sun. 23—Lobos v. Lanús, at Lanús.

AUGUST.

Sun. 6—Lanús v. Lomas, at Lomas.

Tues. 15—Lomas v. Lobos, at Lomas.

Sun. 27—Lobos v. Belgrano, at Lobos.

SECOND DIVISION.

JULY.

Sat. 8—Scotch School v. Barker Memorial School, at Scotch School Ground.

Sun. 9—English High School v. Maldonado, at Genl. Mitre.

Sun. 9—Lomas 2nd v. Banfield, at Banfield.

Sun. 16—Banfield v. Maldonado, at Banfield.

Sun. 16—English High School v. Lomas 2nd, at Coghlan.

Sat. 22—Scotch School v. English High School, at Scotch Ground.

Sun. 23—Banfield v. Belgrano 2nd, at Belgrano.

Sun. 23—Lomas 2nd v. Lanús 2nd, at Lomas.

Sun. 23—Lanús 2nd v. Maldonado, at Genl. Mitre.

Sat. 29—Barker Memorial School v. Lanús 2nd, at Lanús.

Sun. 30—Belgrano 2nd v. English High School, at Coghlan.

Sun. 30—Maldonado v. Lomas 2nd, at Lomas.

AUGUST.

Sun. 6—Lobos 2nd v. Maldonado, at Genl. Mitre.

Sun. 6—Lanús 2nd v. Belgrano 2nd, at Lanús.

Sat. 12—Scotch School v. Lanús 2nd, at Scotch School Ground.

Sun. 13—Belgrano 2nd v. Maldonado, at Belgrano.

Sun. 15—Barker Memorial School v. Belgrano 2nd, at Lomas.

Sun. 16—Scotch School v. Banfield, at Scotch School Ground.

Sun. 16—Barker Memorial School v. Lomas 2nd, at Lomas.

Sat. 19—Barker Memorial School v. English High School, at Lomas.

ROSARIO

ASSOCIATION FOOTBALL.

On Friday evening, the 23rd ult., the Combined Railway team travelled to Cordoba to play a couple of matches with the Cordoba Athletic Club, arranged for Saturday and Sunday. Although at the start from Rosario the weather was anything but promising, on arrival at Cordoba it was bright and clear, and if anything too warm for football. On Sunday, however, a change took place and it was anything but pleasant. Notwithstanding the weather, it was a very enjoyable time and the visitors were made heartily welcome, as they always are, by their friends in Cordoba.

The outcome of the first day's play was a win for the visiting team by six goals to two. Green and Kean each being responsible for two goals, Hopper and Porte scoring one each. For the homesters, Brown and Griffin were each successful.

On Sunday, the visitors were again victorious to the extent of five goals to two. Brown, for the home team, was the first to score from a good pass by Knight, Kean quickly retaliating with one for the Railways, who had the best of the game from the start, but Brown, Griffin, and Knight playing up well and with good combination, soon secured a second goal, which somewhat raised the spirits of the Cordoba men, but they were unable to gain any more points, while their opponents at the hands of Green and Porte, had increased their score by three goals at the call of time.

The visitors returned to Rosario on Sunday night right well pleased with their outing and the hospitality shewn them by their old friends in the North.

The following were the teams:—

Combined Railways—

Goal—J. Hollis.

Backs—S. Angel, B. Carman.

Half-backs—W. S. Harris, F. Martin (capt.), R. Dorning.

Forwards—M. Green, E. Wortley, H. Hopper, J. Kean, J. Porte.

Cordoba A.C.—

Goal—Atkinson.

Backs—Wilcox, Jeans.

Half-backs—Marks, Percy, Barnard.

Forwards—Brown, Fowler, Griffin, Knight, Houghton.

On Sunday, Simons took the place of Percy at half-back.

COMBINED RAILWAYS v. SCHOOLS.

Teams representing the above met at Plaza Jewell on Sunday last to fulfil their return fixture in the Competition, a pleasant and interesting game resulting in a win for the Railways by two goals to one. Notwithstanding the warmth of the temperature the play was fast throughout and the form, shown by both teams was fully up to the average. The opening play was in favour of the Railways their first goal being scored within five minutes of the start. The Schools team was, unfortunately, without one of its best men, L. Jacobs, who played a splendid half-back game in the first match with the Railways. On the previous occasion the latter had the best of the game, to the tune of five goals to nil but on Sunday were somewhat fortunate in saving a draw, as once or twice, especially just on the call of time, their goal was in imminent danger of falling.

The Railway Captain having won the toss, Newell kicked off for the Schools, and a dash was made for the opposite goal in front of which play ruled for a few minutes, until Shimield got the ball away, and Wortley securing passed to Kean at centre, who sent in a straight shot which was too much for the school goal keeper, and the Railways gained their first point after about five minutes play. The Railways soon after claimed a corner which however, was fruitless to them, being well cleared by the school backs and after a few minutes play in midfield Dorning gave a good pass, to Newell who followed up the ball and was successful in dodging the goal-keeper, and equalizing the score. From the centre kick the Railways secured and some rather sharp work was done by both sides the schools being conceded a corner which was well cleared by their opponents who soon took advantage of an opening afforded them and Kean went very near scoring, his shot although well directed being a little too high. The school's left wing then had a turn, and got within shooting distance of the Railway stronghold and Harrison attempted to beat Hollis who however was equal to the occasion and by his "strong hand and mighty arm" frustrated the efforts of the attacker.

By good passing on the part of the Railway forwards play was returned to their opponents' territory where from a good pass by Wortley, Hopper had a shot at goal which Pixton got away well. At half time the contestants changed ends with the score equal.

On resumption, the railways again went away with a dash through their opponents, and in a very few minutes Martin

notched a second goal for them, which proved to be the winning point, no further score ensuing, but the Schools, on several occasions gave their adversaries some anxious moments, and were very near scoring, but could not succeed in putting on the finishing touch. Newell once or twice sent in shots which tried the powers of the Railway custodian, who twice saved his goal at the expense of "corners," which, however, were safely negotiated.

The Schools, as on the previous occasion, played a splendid defensive game, Angel and G. Middleton showing up prominently, but their forwards, who played well individually, did not show the combination which has been admired in this team in previous years. Newell, as centre forward, was a great acquisition, but he had a good man to tackle in E. Clarke, who gave him no chance to take advantage.

The winners, as usual, combined well together, the forwards keeping up to their previous form, and being well fed by the half-backs, but they had to face a strong defence. Hollis in goal saved some very nasty shots, but was caught napping once.

The following were the teams:—

Combined Railways—

Goal—J. Hollis.

Backs—W. S. Shimield, B. Carman.

Half-backs—W. S. Harris, F. M. Martin (capt.), E. Clarke.

Forwards—F. Porte, J. Kean, H. Hopper, M. Green, E. Wortley.

Schools—

Goal—A. Pixton.

Backs—S. Angel, G. Middleton.

Half-backs—H. Middleton (capt.), H. Dorning, A. Le Bas.

Forwards—P. Harrison, C. Dobell, C. Newell, C. Colson, S. Knight.

Mr W. S. Penman kindly acted as referee to general satisfaction.

The competition now stands as follows.—

	Played.	Won.	Lost.	Drawn.	Points.
Combined Railways.	3	3	0	0	6
Rosario A.C.	1	0	1	0	0
Schools.....	2	0	2	0	0

The following fixtures have yet to be played:—

Postponed from June 11, Rosario A.C. v. Schools.

July 9, Combined Railways v. Rosario A.C.

July 16, Rosario A.C. v. Schools.

MONTEVIDEO.

ASSOCIATION.

CENTRAL URUGUAY Ry. C.C. v. H.M.S. FLORA.

This match was played on Thursday the 29th of June at Peñarol, before a fine muster of spectators and was won by the Navy by three goals to nil. From the very beginning the Navy men showed themselves to be the superior team and they seem to have profited considerably by the practice they got up in Buenos Aires. The Peñarolites were altogether outpaced by their opponents, who combined well the play of the forwards evoking applause from the spectators on several occasions. Towards the end of the first half, Taylor taking a good long pass from Williams at centre half back, ran down the touch line and scored an easy goal. This player repeated the same performance early in the second half. The third goal was soon afterwards scored during a scrimmage outside the Peñarol goal, after which the Peñarol men woke up and were several times on the point of scoring. From that time until the finish the home team had decidedly the best of the game.

For the Navy, Taylor and Wellington were most conspicuous in the front rank and Williams at half fed his forwards in good style. Edgell at back relieves very cleanly, when called upon to do so.

Of the Peñarolites Craven and Buchanan at back were the pick of the team, the Navy forwards finding them a tough pair to get through.

ALBION F.C. v. H.M.S. FLORA.

This match played last Sunday on the Albion ground was unfortunately marred by the unsportsmanlike action of two of the Albion men, who left the field because they did not agree with the decision of the referee given about one of the goals. It is an offence which cannot be easily passed over and it might be as well for the captain of the Albion to dispense with the services of both these players until they learn better manners.

The above incident took place early in the first half, when the Flora men had scored their second goal. The remaining nine men of the home team played up splendidly and Craven at back was in grand form, showing that he did not miss the help

of his colleague very much. The forwards, though one short worked their hardest and succeeded in making a goal in the first half, which was put through by W. L. Poole.

The Flora front rank, well backed up by the halves, especially by Williams, kept the ball up at the Albion end and Blake at centre registered two more goals for his side. Just before time was called the Albion made a plucky run down the field and succeeded in scoring another goal bringing up their total to two against four made by the Navy.

It is impossible to make individual mention of the Flora forwards as they all played a fine game. The kicking of the backs was rather erratic.

P O L O .

CHAMPIONSHIP FINAL.

We were distinctly disappointed in this game, which fell far short of championship form. There was a good deal of missing, more crossing than we cared to see, and the ball travelled more across the ground than from end to end; however in strict justice we must say that we think the strong cross wind which blew throughout the match was to a large extent responsible for all of these short comings.

After the game between "Media Luna" and Hurlingham A, odds were laid on the latter team winning the 1899 championship, and although at times the Locusts more than held their own, the game on the whole showed the betting was correct.

The teams were:

Locusts	Hurlingham A
1. C. Hay	1. F. J. Balfour
2. L. Bury	2. F. J. Bennett
3. R. Traill	3. T. Robson
F. Robinson (back)	H. Scott-Robson (back)

At the commencement of the game the visitors defended the paddock end, H. Robson was first on the ball and with a strong drive sent it out at the corner in front of the fives-courts.

From the throw in Bury got in a fine shot, but H. Robson met the ball with one of those powerful backhanders he so excels in. The ball now travelled fairly well, when H. Robson getting away on Whitehart, took it right up to his opponents goal, but his last shot went wide, and the ball went behind. On Robinson hitting out Balfour had a good shot at goal, but the ball once more went behind. On the ball coming into play once more, Traill and Bury got away with it and menaced the Hurlingham goal, Bennett saving just in time. After a few exchanges a cross was given against the Locusts, and from the free hit Tom Robson scored a good goal. The ball being once more thrown in Hay put in some pretty play, both hitting and riding well. The ball went out at the cricket field, and on being thrown in Robinson got away with it, and well backed up by Traill nearly scored, Bennett again saving in the nick of time.

After some good rallies, during which Robinson and Bury hit several useful backhanders for their side and H. Robson and Bennet showed up most for the home team the ball went behind and time was called with the score 1 to 0 in favour of Hurlingham.

On hitting out at the commencement of the second ten Robinson rather muddled his shot, and enabled Bennett to score an easy goal for Hurlingham. The ball was thrown in again and Balfour and Bennett got off with it, both hitting well, but the final shot at goal went wide. Robinson hit out, and Balfour met the ball and sent it between the posts, notching another goal for Hurlingham. On restarting Tom Robson was quickest but his fine shot was stopped by Robinson, who returning well enabled Bury to come away and score the first goal for his side. From the throw in Traill came very near scoring with a hot shot, but H. Robson saved splendidly. Traill had a pretty hit underneath his pony, and then Tom Robson got away by himself, and looked like scoring but Bury got there just in time, and soon after a cross was given against Hurlingham. The ball was thrown in and Traill got away, but almost immediately another cross was given against the home team right in front of their goal. From the free hit, Balfour just prevented Traill from scoring by a few inches, and getting away, well followed up by T. Robson, took the ball into their opponents' territory, it going out opposite the pavilion just on time. Score 3 to 1.

Bennett opened the third ten by a good run, nearly finding employment for the marker, but Robinson saved, and Traill followed up with a good shot, the ball going out opposite the pavilion. From the throw in Balfour got the ball first, then Tom Robson made a lovely stroke under his pony's neck, and well backed up by Bennett came near scoring, Bury however saved with a good hit, and the ball once more went out opposite the pavilion. The ball was thrown and the home team took pos-

session of it, H. Robson and Balfour putting in some very pretty work, T. Robson eventually sending it behind. From the hit out Bennett had a good try at goal but Robinson saved beautifully, and the ball went out at the corner near the grand stand. From the throw in T. Robson had a shot at goal, Robinson once more saving well, and the ball again went out at the same place. This time Robinson and Hay looked like getting away but the ball would not travel, and went out opposite the pavilion. From the throw in the Locusts took command but H. Robson was wide awake and got in a strong drive. Robinson returned with a good backhander. H. Robson and Balfour now attacked but Robinson saved well, Hay got away backed up by Bury, but was recalled by the referee who gave a cross against the Locusts near their own goal. H. Robson took a free hit, but his shot went wide and the ball went behind. From the hit out Robinson and Traill got away with the ball, only to be deprived of it about midway by Bennett, who, ably supported by Balfour attacked the Locust's goal Traill however saved well and there Tom Robson had a cut at goal, but the ball went behind. From the hit out H. Robson went off on his own with the ball, and galloping at a great pace almost scored, but in endeavouring to prevent the ball from going the wrong side of the posts, his pony slipped up and came down heavily, fortunately without injuring himself or his owner. After this there were a few exchanges but the chucker ended without any alteration in the score.

The ball, which at the end of the last ten was out of play at the corner in front of the fives court, was thrown in, and H. Robson at once had a shot at goal, but the ball went behind. From the hit out Bury and Traill got away, and the latter player riding well, Robinson nipped in and almost scored, but a cross was given against Hurlingham 25 yards from the goal. Robinson took a free hit, but Tom Robson met the ball and got away with it, Balfour backed up well, but the final stroke went wide and the ball went behind. On Robinson hitting out Hay took possession, but hit the ball out opposite the pavilion. From the throw in Bennett put in some good work, Traill replied with a very smart backhander, and then Tom Robson attacked, but his shot went wide and the ball rolled behind. On being hit out, the ball was taken possession of by H. Robson, who, hitting on the near side of his pony, left it well placed for his brother to hit between the posts. On the ball being thrown in the Locusts took command, but almost at once a cross was given against them, and Robson making them hit out from behind Hay made the running, but H. Robson once more saved with a beautiful backhander, here Traill chipped in with some good strokes, but the combined forces of Balfour, H. Robson, and Tom Robson, were too much for him, and he could not prevent Balfour from scoring another goal. After the throw in the ball went out at the fives' court corner and then opposite the pavilion, and time was called with the score five to one in favour of Hurlingham.

The fifth chucker opened by the ball being thrown in opposite the pavilion, only to go out again at once a little further down. From the throw in Tom Robson got on to the ball only to have it wrested from him by a pretty nearside stroke by Traill, after some hard hitting on both sides, Robinson got away and looked like scoring, but H. Robson was too well mounted for him, and got up in time to save his goal with a good backhander, the ball now went out opposite the pavilion. Tom Robson got away, Traill saved with a powerful backhander, and after one or two hits by Robson, Traill and Robinson, the ball again went out opposite the pavilion. From the throw in Traill stole away, and Bury backing him up well was within an ace of scoring, Tom Robson just getting there in time, Bennett put in some good work but the ball again went out, on being thrown in it went behind at once. From the hit out Balfour and H. Robson had a shot at the Locusts goal, but Traill, playing in great form, ably supported by Bury, nearly scored when a cross was given against Hurlingham. Bury took a free hit and scored a very nice goal. On the ball being thrown in Traill again attacked, but H. Robson saved, and just as time was called the ball went out at the corner in front of the fives' courts. Score five to two.

The sixth ten started with very sticky play in the bottom corner, and the ball was hardly in play before it was out again, on its being thrown in again, Traill and Bury took possession, and came very near scoring, H. Robson just saving. There was now a good deal of missing in mid-field, and then H. Robson hit the ball out opposite the pavilion, it was thrown in, and went out again at once, thrown in again, the ball was taken possession of by Hay, who, well backed up by Robinson, almost scored, but the luck was against them and the ball went behind. From the hit out Balfour got on, but the ball went out at the pavilion, from the throw in Robinson and Bury had a great try at scoring, but H. Robson saved again. The ball now travelled across the ground now going out opposite the pavilion, and now beside it, and just as time was called Bennett got away and scored a fine goal for Hurlingham, the match ending with the score six to two in favour of the home team.

NOTES ON THE CHAMPIONSHIP.

The Championship tournament of 1899 is now a thing of the past, and in spite of only four clubs being represented in it there is no doubt there has been as much, if not more interest taken in it as in any of its predecessors.

The best team undoubtedly won, and Hurlingham have once more, but only for the second time since they won the trophy outright in 1893, earned the right to have the Club's name on the Cup. Many people who followed the tournament closely this year put Hurlingham's success down to the superiority of their ponies, but we do not agree with this opinion, and if ponies were changed we think the home club would still beat either Media Luna or the Locusts. Both these latter clubs sent up dashing hard hitting teams, but few of their players placed the ball well for each other, nor were very good at shooting at goal.

Media Luna came up from the West very strong favourites, and they were well mounted. They had had plenty of practice, and their match with the eventual winners was a real good one. Had Hurlingham had to rely on a weaker back than Mr H. Robson, Media Luna would most certainly have beaten them. The same may be said of the Locusts as regards the match with the home club, but this team was not in such good practice as the Westerners, nor were they so well mounted.

Two teams deserving of all praise were the Hurlingham B and San Carlos. The former are a real good hard-hitting four, that play well together, are beautifully mounted, and their match against the Locusts was perhaps the best in the tournament. In this game they very nearly beat their formidable opponents and qualified for the final.

The San Carlos team was entirely mounted and organised by Baron Peers, who once more proved, by bringing them down to the tournament, that he is a sportsman of the right sort and the like of whom we should be glad to see a few more. Though a scratch team, the Baron having been disappointed of two of his original team at the last moment, they did very well, and had very hard lines in having to meet the eventual winners in their very first match.

The class of ponies played in this year's tournament was very good, and though too many undersized ponies were noticeable, these fairly earned their right to play by their hardiness and pace. The big ponies, however, had the best of it, and one saw this most plainly when the Hurlingham team took the field. Weight in a modern polo pony is a very necessary quality.

HURLINGHAM HANDICAP TOURNAMENT.

F team having scratched A team had a w.o. in the second round. In place of this match a good game was played between the following teams:—

Whites	Blues
1. F. Daniell	1. F. Leared
2. R. S. Moncrieff	2. Baron Peers
3. R. Leared	3. C. J. Tetley
L. Bury (back)	E. Wood (back)

After a closely fought match Blues won by five goals to four.

The next match played on the afternoon of Wednesday 28th June, was between the following teams:—

C team	B team
1. C. Hay	1. R. Dene
2. B. Bedford	2. F. Leared
3. L. Bury	3. R. Fredes
F. Robinson (back)	J. Kirkham (back)

This was a very hard fight, at the end of the sixth chucker the scores were two all, extra time was played, and C team won by three goals to two.

We regret to say that in this game Roque Fredes, who was proving a veritable tower of strength to his side, had his nose badly broken by a hit from the ball. The unfortunate man was at once taken to the British Hospital, where he was so well looked after that he was able to return to the camp on Saturday.

On Thursday morning the final of the handicap was contested by the A and C teams.

The sides were:—

A team	C team
1. Baron Peers	1. B. Bedford
2. R. Leared	2. C. Hay
3. E. Wood	3. L. Bury
C. J. Tetley (back)	F. Robinson (back)

A close fight was anticipated, the odds, if any, being rather in favour of A team, but the dance of the previous night seemed to have told more on them than on their opponents, and missing, and bad shooting was the order of the day, the C team eventually winning the match, and the handicap tournament, by six goals to two.

We notice a curious coincidence in this years championship tournament the united scores of the three camp teams in all the

matches being exactly equal to the united scores of the three Hurlingham teams, namely 25 goals.

Locusts	6	v.	Hurlingham B	5
San Carlos	2	v.	" A	9
Locusts	15	v.	" C	1
Media Luna	0	v.	" A	4
Locusts	2	v.	" A	6
	25			25

SANTA EUFEMIA.

It was found quite impossible to play here last Sunday, owing to the dense fog which has now lasted several days.

LAS TURBIAS.

On Sunday, the 25th ult., a hard fought match was played between Las Turbias and Las Rosas, resulting in a tie of six goals all, the sides being composed of the following.—

Las Turbias		Las Rosas	
1. W. Smythies		1. Mendoza	
2. Ubaldino		2. L. Chandler	
3. Félix		3. N. Chandler	
H. Smythies (back)		F. Kinchant (back)	

First chucker—Within a minute of the start L. Chandler scored from a fine long shot, the ball only rolling a few inches over the goal line, play was fast but at times rather erratic.

Second chucker—Ubaldino showed up well in this period and the ball travelled up and down the ground, a shot of Smythies only just missing the posts. From a scrimmage in front of goal, Kinchant scored with a back-hander, making the score two goals to love in favour of Las Rosas.

Third chucker—After some fast play, in which Smythies' ponies made the pace too hot, a shot of his rebounded off the goal post, and had the shooting of the Las Turbias team been better, they would certainly have scored. Just before time was called, N. Chandler notched another goal for Las Rosas after a brilliant run.

Fourth chucker—The superior maize fed ponies of the Las Turbias men now began to tell, and Kinchant had his work cut out to defend his goal, but in vain, as both Smythies and Ubaldino scored, bringing the score to three goals to two.

Fifth chucker—This was more evenly contested, the men riding each other off better, in fact play was superior all round, and the period ended in a goal to each, the one for Las Turbias being hit by Smythies, and the Las Rosas one by Mendoza, a promising native boy, who got a nasty smack on the nose while trying to stop a back-hander.

Sixth chucker—Ubaldino quickly scored for Las Turbias with a hard cross shot, making the score equal, four goals all. The game was now very exciting each stroke being cheered by the spectators, there being several native gentlemen present, and Chandler, after a good run on his fast picaso, scored for Las Rosas. The triumph, however, for the Roseros was short-lived, as "el amigo Ubaldino" was not to be denied, and he scored just as time was called. The Las Rosas team being rather short of ponies it was decided to divide honours.

At this point our correspondent breaks into verse as follows:—

Las Turbias may thy memory never fade
Where we at polo thwacked the stubborn jade,
And tried in vain to get him on the ball
Thumping him with polo stick whip and all,
And cursed aloud when off the ball we missed
Or got, with polo stick hooked by the wrist
And trying our level best to do the proper,
Ridden off, and sometimes came a cropper.
In spite of all what happiness we've found
Thanks to the Smythies and their polo ground.

PONY RACING.

HURLINGHAM—JUNE 29.

The Polo Tournament at Hurlingham last week wound up with a very pleasant race-meeting, and the attendance was quite a record one. We will not attempt to give the names of the people present, suffice it to say that nearly everybody who is any body in English Society was present. The weather was as good as could be wished for, and was neither windy nor cold, whilst the course was in capital condition for galloping.

As regards the racing there is not much to say, the whole of the four races confined to ponies were won by Mr F. Furber's Dice Box, who established a record for Hurlingham, not only for himself, but for his trainer and jockey, Mr F. J. Balfour. He is a wonderfully good pony, and was a year or two ago a wonderfully good race horse, as good if not better than anything of his year in Montevideo in 1895, when he won the Premio Jockey Club and two or three other classic events. He is a pony with-

out a fault, and gallops in a style we have never seen shown except by high class horses. In the last race he had accumulated a penalty of five kilos, and so carried 82, yet he made as light of this big burden as if it had been feather weight, and though only getting a clear run in the straight he fairly raced his fresh opponents down in the last few hundred yards. Tero with Dice Box out of the way would have won both his races easily, and there is no doubt this is one of the best ponies we have seen at Hurlingham for some time. The hurdle race produced a pretty finish, but Emprestito proved himself to be of much better class than the rest of the field, and if he can be properly schooled we expect to see him carry off some of the principal end of the season jumping events. The following are the details:—

POLO SCURRY, for ponies which have played polo and have not won at Hurlingham. Weight for inches. \$100 to the 1st, 500 metres.

Mr F. Furber's Dice Box, 58 in, 78 k.....	Mr F. J. Balfour	1
Mr J. N. Drysdale's Freda, 56 in, 72 k.....	Mr Vayo	2
Mr H. S. Robson's White Hart, 58 in 78 k.....	Mr E. Pico	3
Mr R. Leared's Blue Ruin, 56 in, 72 k (car. 75 k).....	Owner	0
Mr W. J. Grant's Charlie, 56 in, 72 k.....	Mr L. Bury	0

Dice Box and Blue Ruin got away very badly, but the former caught his field at the paddock, and won fairly easily.

Dividends—Dice Box \$2.60 win and 3.20 place, Freda 10.20 place.

PREMIO 24 DE JUNIO, for ponies of 58 inches or under. Weight for inches. \$150 to the 1st, 300 metres.

Mr F. Furber's Dice Box, 58 in, 81 k.....	Mr F. J. Balfour	1
Mr E. Lambruschini's Tero, 58 in, 78 k.....	Mr J. Canevari	2
Mr A. Herran's Congo, 56 in, 72 k.....	Lieut. Rojo	3
Mr R. P. Sidebottom's Abanico, 58 in, 78 k.....	Mr R. Leared	0
Mr M. R. Mackintosh's Nancy, 58 in, 78 k.....	Owner	0
Mr F. Daniell's Don Quijote, 58 in, 78 k.....	Owner	0
Mr W. J. Grant's Prince, 58 in, 78 k.....	Mr MacMorran	0
Mr G. V. Forrester's Raton, 56 in, 72 k.....	Mr Bond	0
Mr B. Escabino's Viejo, 56 in, 72 k.....	Mr J. Canevari	0
Mr J. N. Drysdale's Freda, 56 in, 72 k.....	Mr Vayo	0

Tero got away well and made running to the distance, where Dice Box caught him, and striding away from him in the last couple of hundred yards, won with without being called on.

Dividends—Dice Box \$2.80 win and 2.65 place, Tero 2.50 place, Congo 4.10 place.

POLO ASSOCIATION CUP, with \$100 added, for polo ponies the property of and ridden by regular polo players and members of an affiliated club. Weight for inches. Ponies ridden by their owners allowed 2 kilos.

Mr F. Furber's Dice Box, 58 in, 78 k.....	Mr F. J. Balfour	1
Mr R. Leared's Blue Ruin, 56 in, 70 k (car. 71 k).....	Owner	2
Mr R. W. Traill's Mainspring, 58 in, 78 k.....	Mr R. Leared	3

The three ran together along the bottom stretch, but rounding the bend Blue Ruin and Mainspring were done with, and Dice Box cantered in a very easy winner. Mainspring was pulled up before passing the post.

PREMIO HACK, for horses the property of and ridden by members of Hurlingham or the Hurlingham Hunt, catch weight not under 70 kilos. \$100 to the 1st, 2500 metres.

Mr W. Samson's Emprestito.....	Mr F. Daniell	1
Mr J. N. Drysdale's Vengador.....	Mr Bedford	2
Mr W. Samson's Photographer.....	Mr R. Leared	3
Mr A. E. I'Anson's Jewell.....	Mr F. Leared	0
Mr M. R. Mackintosh's Aladdin.....	Owner	0
Mr H. M. Bucknall's Dynamite.....	Mr F. J. Balfour	0

Photographer made strong running over the first two hurdles as far as the bottom stretch. Here Vengador and Dynamite closed up with him. After rounding the last bend Emprestito was sent along, and catching Vengador after jumping the last hurdle, won a good race by a couple of lengths.

Dividends—Emprestito \$7.85 win and 3.25 place, Vengador 2.95 place.

HURLINGHAM HANDICAP, value \$200, for ponies of 58 in. or under. 1000 metres.

Mr F. Furber's Dice Box, 58 in, 82 k.....	Mr F. J. Balfour	1
Mr E. Lambruschini's Tero, 58 in, 77 k.....	Mr J. Canevari	2
Mr H. S. Robson's Florizel, 58 in, 72 k.....	Mr Pico	3
Mr W. J. Grant's Rory, 57 in, 74 k.....	Mr L. Bury	0
Mr A. Sasso's Curioso, 58 in, 72 k.....	Owner	0
Mr G. V. Forrester's Raton, 56 in, 70 k.....	Mr Bond	0
Mr J. N. Drysdale's Kenneth, 58 in, 69 k.....	Mr Schwind	0

Tero was first into the straight, but Dice Box, running very gamely under his big burden, caught him before reaching the paddock, and wearing him down in the run home, won by a length.

Dividends—Dice Box \$2.80 win and 2.85 place, Tero 2.95 place.

SANTA EUFEMIA POLO CLUB.

The following are the entries for the race meeting to be held under the auspices of the above polo club on the 9th inst:—

PREMIO SALTO, 1200 metres.

Mr G. Watson's Loco
Messrs Watson and Land's Cabra
Mr F. Watson's Peludo

PREMIO SANTA EUFEMIA, 500 metres.

Mr E. D. Funes' Nato
Mr E. D. Funes' Platino
Mr A. Silva's Telegrapho
Mr G. Watson's Teniente
Mr R. Casas' Desconocido
Mr Pedrerolo's Bocaccio
Mr F. Watson's Regalon
Mr J. F. Lastra's Cyrvano
Mr J. F. Lastra's Citrato

PREMIO SOCIOS DEL CLUB

Mr J. Lawrie's Comisario
Mr G. Watson's Criollo
Mr F. Watson's Somito
Mr R. Land's Chibassa

PREMIO CORDOBA, 700 metres.

Mr F. Rojo's Alma Blanca
Mr B. Cisnero's Lechueza
Mr E. D. Funes' 9 de Julio
Mr F. Watson's Travieso

PREMIO LA PAZ, 1200 metres.

Mr F. Watson's Regalon
Mr J. F. Lastra's Roxana
Mr E. D. Funes' Guanaco
Mr C. Crueno's Fundido

PREMIO TROTE, 3600 metres.

Mr G. Watson's Doradillo
Mr D. Gibb's La Paz
Mr Claudio's Gurglio
Mr J. Oulton's Peruana
Mr J. Ross's Pedro

PREMIO GAMBETA, (Bending race).

Mr G. Watson's Colorado
Mr R. Casas' Triste
Mr F. Watson's Cheshe
Mr S. Watson's Pampita
Mr R. Land's Bonita

200 Metres Race, for First Year Pupils of National College, 7 starters—1, N. Cordero; 2, A. Pimentel.

200 Metres Race, for Boys of 12 to 13 Years, (St. Bartholomew's School), 7 starters—1, E. Le Bas; 2, C. Robinson.

100 Metres Race, for Boys under 9 years, (St. Bartholomew's School), 16 starters—Run in 2 heats. Final: 1, G. Stetson; 2, C. Bosco; 3, R. Galloway; 4, J. Kelly; 5, A. Barnes.

200 Metres Race, for Second Year Pupils of National College—1, H. Molina; 2, C. Thompson.

Three Legged Race, for Pupils of St. Bartholomew's, School, 10 runners—1, Roberts and Bantle; 2, Robinson and Hardy; 3, Stetson and Anderson.

100 Metres Race for Girls, (St. Bartholomew's School), 10 starters—1, Mary Anderson; 2, Lily Bantle; 3, Josephine Canale.

200 Metres Race, for Third Year Pupils of National College, 7 starters—1, Fabregas, 2, P. Sanchez.

High Jump, (St. Bartholomew's School)—1, L. Knight, scr. 3ft. 10½ in.

200 Metres Race, for Boys of 11 to 12 years, (St. Bartholomew's School), 7 starters—1, A. Colson; 2, Stanley Hopper.

200 Metres Race, for Fourth Year Pupils of National College, 3 starters—1, A. White; 2, A. Paz.

200 Metres Race, for Boys of 9 to 11 years, (St. Bartholomew's School), 8 starters—1, H. Roberts; 2, P. Colson.

400 Metres Race, for Boys of St. Bartholomew's School., 19 starters—1, A. Anderson; 2, J. Angel; 3, O. Bantle.

200 Metres Race, for Fifth Year Pupils of National College, 3 starters—1, J. Senac.

100 Metres Shipping Race, for Girls of (St. Bartholomew's School), 5 starters—1, Norah Stetson; 2, J. Galli

400 Metres Race, for Pupils of National College, 8 starters—1, J. Senac; 2, N. Cordero.

100 Metres Sack Race, (St. Bartholomew's School), 21 starters. Run in 3 heats—Final: 1, W. Hardy; 2, J. Topping; 3, F. Hardy.

1200 Metres Bicycle Race, for Pupils of National College. 5 starters—1, Bonzola; 2, Zavella.

100 Metres Hurdle Race, (St. Bartholomew's School), 4 starters—1, A. Colson.

Consolation Race—1, S. Angel; 2, Anderson; 3, Galli.

ATHLETICS

ROSARIO.

ST. BARTHOLOMEW'S AND NATIONAL COLLEGES' ATHLETIC SPORTS.

The above sports which had been looked forward to with great interest and which had to be postponed from the 24th owing to the inclement weather, were held at Plaza Jewell on Thursday last. The day was fine although seasonably cold and a good concourse of spectators assembled. All the events were keenly contested, the 400 metres for pupils of St. Bartholomew's school, for which there were 19 runners, being an especially good race.

An interesting feature of the festival was the entrance into it, for the first time, of the pupils of the National College, in response to the invitation of Mr. G. Robb, the Director of St. Bartholomew's school. On this occasion they were not brought into competition with the more practised members of the British school but separate events and corresponding prizes were arranged for them; judging however from the interest shewn in these, and the keenness of most of those taking part, we shall doubtless, before long, see some of them entering into our open competitions or possibly hear of a National College Athletic Sports being inaugurated.

The prizes were well assorted and costly, including two silver cups, each of the value of £5, presented by the Rosario Athletic Club, one of which was allocated to each college for the 440 yards race.

Mr. Robb, as in previous years, personally undertook the duties of starter which he carried out in a most efficient manner; and again he is to be congratulated upon the success of this pleasant and interesting gathering.

The proceedings were enlivened by the presence of the Police Band kindly lent for the occasion.

After the consolation race the prizes were kindly presented by señor Vedia, the Director of the National College.

The following is a list of the events with the names of the successful competitors.—

Long Jump, for Pupils of St. Bartholomew's School, 6 competitors—1, A. Ross, (rec. 1ft. 6in.) 14ft. 3in.

200 Metres Race, for Boys over 13 years of age, (St. Bartholomew's School)—1, A. Anderson; 2, J. Angel.

GOLF.

In "Golf" of the 19th May, recently to hand, we find a letter mentioning an unusual occurrence. The golfer who signs the letter drove a ball which glanced off a wall and went straight into the fore-caddies' pocket. This occurrence, remarkable as it was, has been eclipsed by a still more remarkable one which happened on our links at Hurlingham on Sunday the 11th ult. Towards the end of the day and at the close of a foursome one of the players drove a ball with a carry of about a hundred and thirty yards; after the ball was driven a member was seen crossing the links just where the ball would fall. After calling out a warning the players followed their balls but could find no trace of the one referred to although all four, with their caddies searched for a considerable time. About a quarter of an hour later the player who drove the ball in question met the non-playing member and apologized for not having seen him before driving, when to his astonishment he learnt that the ball had hit the non-playing member on the chest. After again apologizing he asked the latter if he had seen anything of the ball after it had struck him; he replied that he had seen nothing whatever of it and did not know where it had gone to, adding, as an after thought, "unless it is in my pocket." And as a matter of fact there the ball was. It had hit him on the chest and fallen, unknown to him, into the inside breast pocket of his coat, which was open at the time! It seems incredible that this could have happened without the member who was hit knowing the whereabouts of the ball, but there is no doubt whatever of the absolute truth of the story. One more case in which truth is stranger than fiction.

The scores returned in the series of matches the Rosario club has just played have unaccountably not come to hand, so we must hold over full details for our next issue.

FIXTURES, 1899.

JULY.

Sun. 9—Flores v. Hurlingham, at Flores.

Sun. 16—Monthly Competition, at Lomas.

Sun. 23—Flores v. Lomas, at Lomas.
Sun. 30—Monthly Shield Competition, at Rivadavia.

AUGUST.

Sun. 6—Monthly Competition, at Lomas.
Sun. 6—Flores v. Buenos Aires, at Flores.
Sun. 13, Mon. 14, Tues. 15—Championship of the River Plate.
Sun. 20—Monthly Cup Competition, at Hurlingham.
Sun. 27—Lomas v. Hurlingham, at Hurlingham.

SEPTEMBER.

Fri. 8—Lomas and Flores v. Buenos Aires and Hurlingham, at Hurlingham.
Sept. 8—Mixed Foursomes, at Flores.

G. M^CHARDY

Begs to advise his customers that he has received

Clubs from T. Morris, Hoylake,
With Patent Grip Handles

Auchterlonie's, of St. Andrews, Golf Clubs

Brand, Silvertown, and Melfort Golf Balls

Slazenger's Tennis Balls

Tennis Racquets restrung or made to order

Repairs neatly and promptly executed

CALLE PIEDAD 559, No. 15

ROUND THE TOWN.

Mr Stuart Morley's Smoking Concert on Saturday evening last at the Salon Enfants de Beranger was as far as numbers went, a success and in some of the items excellent. The songs of Mr P. Permain are well known and his quiet but artistic treatment of the same familiar to our readers so that there is no need to further mention him. Mr Scharenberg seems to have more volume and better training as far as his voice is concerned and he was successful in his rendering of his songs, especially in "Love, could I only tell thee," a pretty song by our old friend Jacky Capel. The beneficiare himself sang some new songs and received encores at each appearance. Mr A. Roberts, a gentleman new to us was extremely successful in his recitations and songs, and his refined manner was in pleasing contrast to one of the items contributed by Mr Humphreys. Although it was a smoker Mr Roberts' songs were delicate enough for a drawing room without losing any of their humour. On the other hand the exhibition by Mr Humphreys was unworthy and we trust he will take a friendly warning and cut such unpleasantness from his repertory, for otherwise, he has some claims to be a comic singer.

It is songs of this nature which get for smoking concerts the bad name which they bear with certain people, especially the fair sex, with whom it is often sufficient to say smoking concert for them to conjure up the most horrifying visions of unholy mirth and strange humour. As a matter of fact the chief charm of a smoker to the ordinary man, is not that the songs are any broader or of such a nature that they could not be listened to by ladies, but the freedom and ease of the evening, the power to smoke and lounge and perhaps still more the permission to join with lusty voice in the choruses, which is an inalienable right of all attendants at a smoker. Unfortunately at times, vulgarity gets the better of common sense and a song is sung or something done which is displeasing to all and the dog begins to get its bad name. The organizers of smokers must be careful that such songs are not permitted or failure will follow promptly.

Some time ago it was suggested that a Ladies' Smoker be got up and some progress was made towards the programme but like many another good intention the idea died young. The idea was to give a concert of the better type of smoker to which ladies would be admitted, something in the way of the Grosvenor and Lyric Club concerts, at which some of the ease of the ordinary smoker would be permitted and cigarettes allowed. Of course if any of the fair sex desired to join in a whiff, they would have most cheerfully been permitted to do so, but this was

a contingency which was not expected to arrive. Perhaps those who were responsible for the idea may take heart of grace and attempt to revive the notion as it might help in some way to dispel the idea that smoking concerts are not quite the thing even for good men to go to.

The Buenos Aires Dramatic Club has not been blessed with very much luck this season, as the first performance had to be postponed within a week of its original date on account of the illness of one of the ladies taking part, and now the second club show will have to be curtailed from its proper proportions on account of the illness of one of the men. Mr P. Chambers who was to have played in "A pair of Lunatics" with Miss Anderson is, we regret to hear, seriously indisposed and this little piece will consequently have to be abandoned and a concert will probably take its place. The performance is fixed for this (Wednesday) evening and the suddenness of the attack and the lateness of the season make it impossible to substitute anything but a concert. The club numbers some charming and talented singers and reciters, and the members may anticipate a very pleasant evening. The second part of the programme will consist of "A Chapter of Accidents" in which Mrs Deacon, Misses Pritchard and Jones, and Messrs S. Mace, F. Wibberley, Denton, and J. L. Mackinnon will take part.

The ingenuity of the advertiser is for ever seeking new and striking methods of bringing certain wares or whiskies before the public, with the result that many strange devices are adopted. One of the very neatest things in the advertising line is issued by the Camiseria San Martin of 274 Esmeralda—the smartness of the proprietor deserves the notice—in the shape of match boxes. Some messenger boys delivered at the various restaurants to the diners large corks, which on closer examination proved to be match boxes. Naturally such boxes will not last long but they will do what they are intended to, viz, draw the attention of those who receive them and this after all is the prime end and aim of all advertisement.

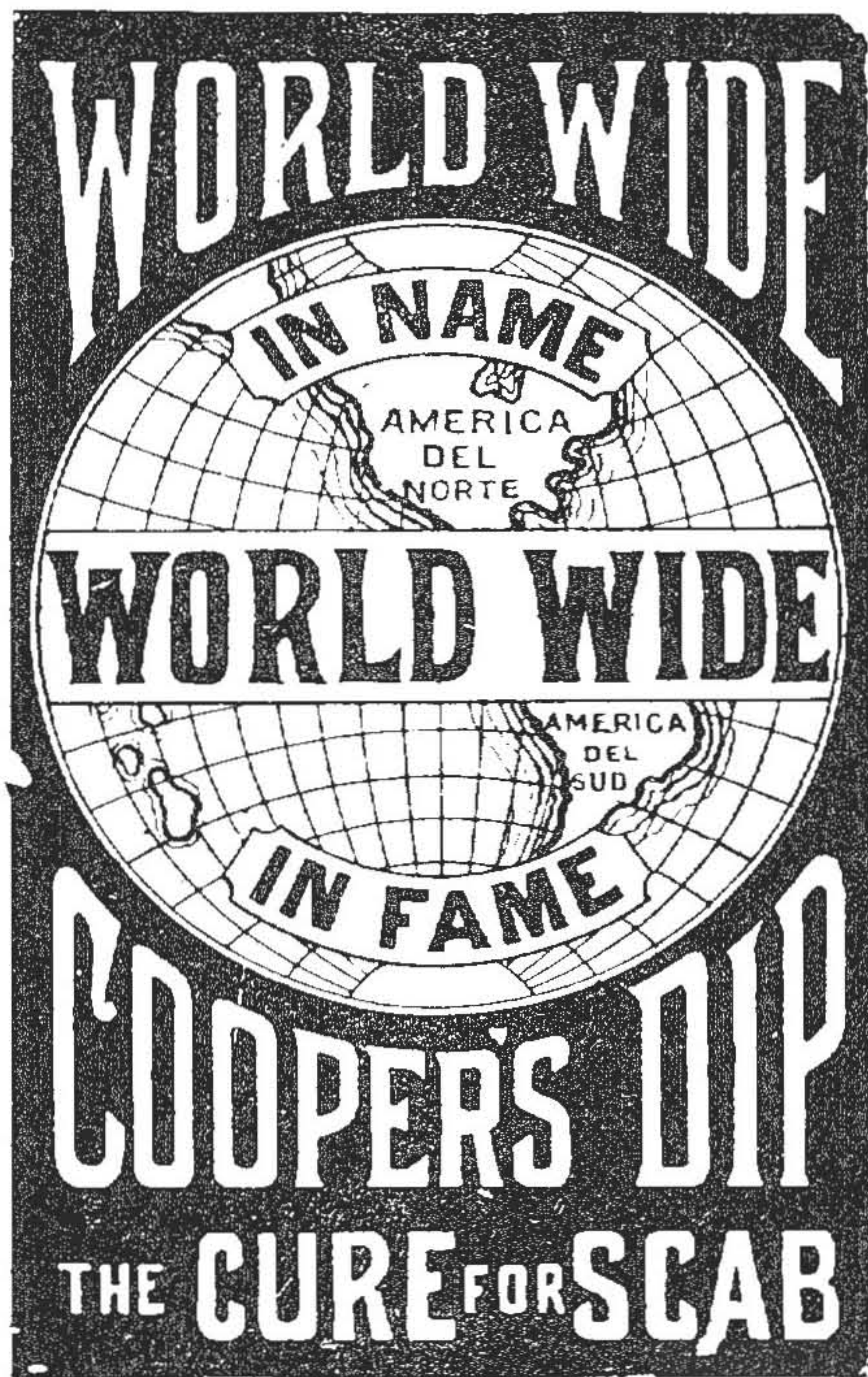
We salute with our most esteemed and deepest consideration the new firm of Messrs L'Huissier, Sumner & Co., which has opened its offices in Calles Esmeralda 452 and 25 de Mayo 112. The partners of this new firm are Mr L'Huissier and our, if we may be allowed to so call him, old friend Mr R. A. Sumner. Mr Sumner is well known in this city as a sportsman of the first order and as good a fellow as we know, and both of these qualities have combined to help him in business. We beg to wish him all the best of good luck and may he live long und brosbbers, as Rip Van Winkle, in the person of Jefferson, used to say.

Lord Mayor Bullrich has been girded at for interfering with the coches etc., but in one thing he deserves the gratitude of the citizens of this city and that is in the hurrying on of the paving of Florida with the Asphalt of Trinidad, which has proved its value in Piedad. Florida was rapidly getting into a most deplorable state with holes and pitfalls which were absolutely dangerous to man and beast. Under the rapid work and beneficent influence of the Paving Company it is assuming an aspect of respectability which is in keeping with its general character and we hope it will not be long ere the whole of the city is laid down with the Asphalt instead of the wood which wears into holes besides being slippery and dirty.

The Buenos Aires Choral Union have had to abandon the proposed performance of "The May Queen" of Bennet which it had been proposed to give for the second essay of the society this year. The members have apparently got tired of singing in concerts and it is almost certain that the public has no great love for this style of entertainment. "The Geisha" is we believe spoken of as being the next opera which the Choral Union will attempt and if the brilliant reports of those who have seen this piece in London can be taken as any criterion the selection should meet with extreme great favour. If this production is given it will be as a kind of farewell effort of the popular conductor Mr W. Nicholson who finds that his time is too much occupied to devote as much of it to the furtherance of the Choral Union in the future as he has done in the past. Under such circumstances loyal support will no doubt be accorded to this gentleman and the public of Buenos Aires will have another pleasant performance to look back on.

We have the greatest pleasure in life in offering our sincere congratulations to Mr. A. Lace of the British Bank of South America on his engagement to Miss Stella Blagden, which welcome news was recently announced. Another of our cricketers, qualifying himself for a place in The Married Team when the Annual Match of Single versus Blessed comes off.

River Plate Sport and Pastime



Agent in Rosario: **A. M. BARNES**

SOLE IMPORTERS

TOSO, CRANE & CO.

Maipú, 265 Bs. As.

J. MUDD & Co.

Coal Importers

Estimates given for the supply of bunker coal in any port in the world

Steamship & General Commission Agents

268 Reconquista, Buenos Aires

Sole Agents for

Mann, George Depôts, Limited,

London and Cardiff, Contractors for supplies of coal at all ports

"THE NEW RIVER SMOKELESS STEAM COAL"

Shipped by the Chesapeake & Ohio Coal Agency Co., New York and Newport News Va, Port of shipment Newport News, Va.

Deposits: Buenos Aires, La Plata (Grand Dock), and Calle Piedras, esq. Guarani, Montevideo

Tug Boats at all ports always ready

Special facilities for coaling steamers with quick despatch in any part of the river.

Steamers calling at La Plata for coals only and taking their supplies from J. Mudd & Co. are free of entry and wharf dues.

JUNIOR ARMY & NAVY STORES

LONDON

The best goods can be obtained at lowest cash prices from the **JUNIOR ARMY & NAVY STORES,**

London,

through their Sole Agents:

Power & Duggan

25 de Mayo 130

W. Samson & Co.

Buenos Aires,

Rosario, and Montevideo

Regular sailings of Steamers

FOR

HAVRE, DUNKIRK, ANTWERP

HAMBURG, LONDON

LIVERPOOL, GLASGOW

AND RIO DE JANEIRO

Buenos Aires Office:

429 CUYO 429

Williams & Co.

Steamship Agents

and Shipbrokers

AGENTS FOR THE **NORTON LINE**

of Steamers for the

Brazils and United States

Regular Sailings for South Africa,

Brazils, Europe and United States

Cable Address "Baptista," — P.O. Box 35

Buenos Aires

Calle 25 de Mayo 144

Lampport and Holt Line

REGULAR SAILINGS

Between

The River Plate and Liverpool,

London, Antwerp, Dunkirk, Havre,

New York, Boston, etc.

Special Steamers for the conveyance of Live Stock.

Superior passenger steamers fortnightly from Rio de Janeiro for New York.

Light-Draft Coast steamers for Rio Grande, Santa Catharina, San Francisco, Paranagua, Santos and Rio de Janeiro.

For freight or other particulars apply to

C. R. HORNE & Co.,
Montevideo.

H. S. FERGUSON,
Rosario.

T. S. BOADLE & Co.,
Buenos Aires.

ROYAL MAIL STEAM PACKET Co.

The following are the proposed sailings of this Company's Steamers:

NILE

Captain H. SPOONER

To sail on July 7, 1899

For Santos, Rio, Bahia, Pernambuco, Lisbon, Vigo, Cherbourg and Southampton. Taking cargo for Bremen and Hamburg.

To be followed by the

CLYDE

Captain C. S. TINDALL

To sail on or about July 21, 1899

For Rio, Bahia, Pernambuco, Lisbon, Vigo, Cherbourg, and Southampton. Taking cargo for Bremen and Hamburg.

MINHO

Captain R. H. STRANGER

To sail on July 10, 1899

For Santos, Rio, Bahia, Pernambuco, Las Palmas, Lisbon, Vigo, Cherbourg, Southampton and Antwerp. Taking cargo for Bremen and Hamburg.

First class passages are granted to European ports at reduced rates, by these extra steamers sailing every four weeks from the Madero Dock.

Through passages to NEW YORK by rapid and luxuriously appointed steamers.

For further particulars apply to

H. L. GREEN,

412 Reconquista 412 — Buenos Aires
Agents in Rosario—BARNETT & Co.

Sanderson's Whisky

A Fine Old Highland Blend

Quality always to be relied on

Sole Importers:

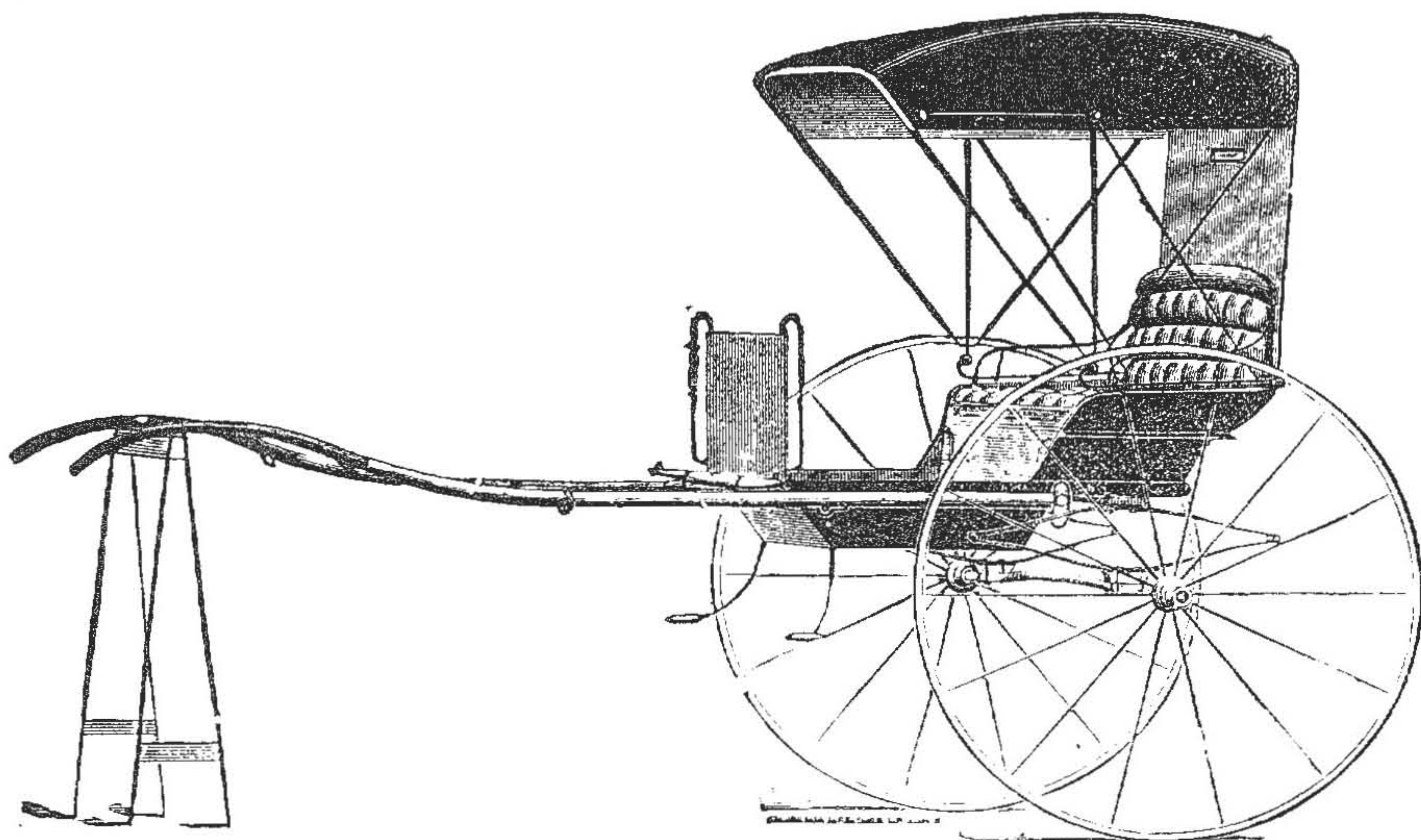
Ramsay, Bellamy & Co.

BUENOS AIRES.

WALKDEN'S INKS

WALKDEN'S INKS

WALKDEN'S INKS



SULKY "EL CICLON"

SULKIES con y sin capota y con faroles; DOG CARTS para dos y cuatro personas; AMERICANAS de media vuelta, vuelta entera y con asiento detrás para el cochero.

Todos nuestros coches, traídos de las principales Fábricas Norte Americanas, son de probada solidez, elegantes y livianos.

El material empleado en su construcción es de primer orden.

Visítense en nuestros Almacenes.

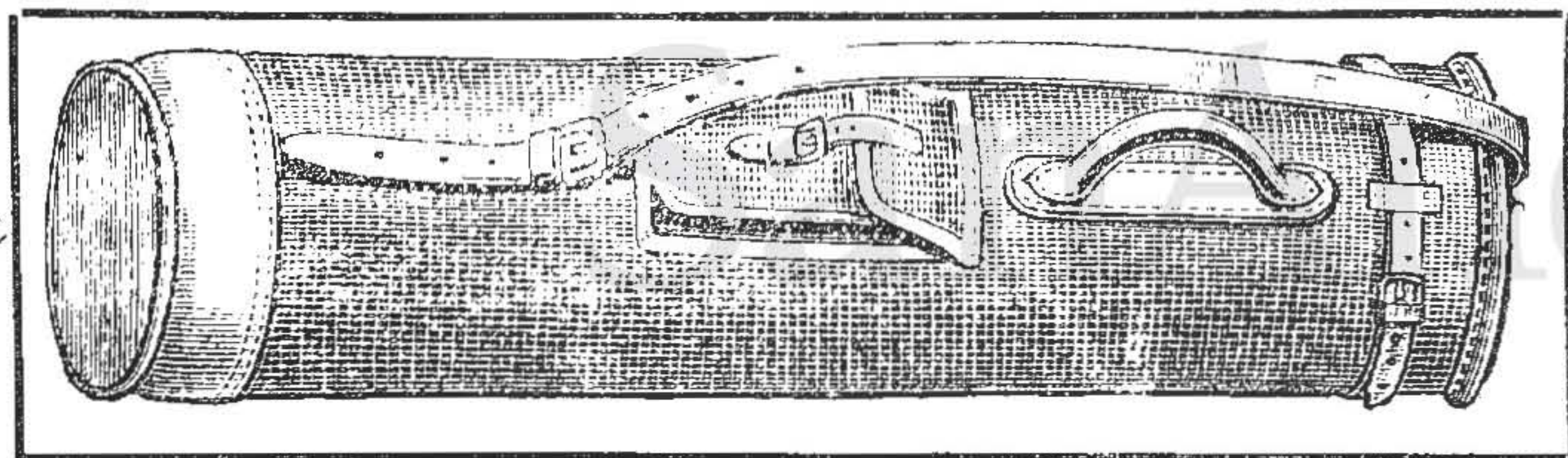
AGAR, CROSS & Cia., 124 Calle Defensa 136

✦ Buenos Aires ✦

Introduutores de Maquinaria Agrícola é Industrial.

JAMES SMART

556 CALLE PIEDAD



SILVERTOWN GOLF BALLS	- - - - -	\$ 8.50 dozen
EUREKA GOLF BALLS	- - - - -	\$ 8.50 dozen
VARSITY GOLF BALLS	- - - - -	\$10.50 dozen
A1 GOLF BALLS	- - - - -	\$ 8.50 dozen
MELFORT GOLF BALLS	- - - - -	\$ 8.00 dozen

BARKER MEMORIAL SCHOOL, Lomas de Zamora, F.C.S.

Head Master: W. Wyatt Hayward, Esq. (London University)

House for Boarders "Las Golondrinas," Lomas House Master: R. W. Rudd, Esq.

As the number of vacancies is limited, applications should be made as early as possible.

FOURTH TERM COMMENCED ON APRIL 21st

Applications can be made to the House Master direct.

BRITISH BANK OF SOUTH AMERICA (LIMITED)

Pays on Deposits until further notice PAPER. GOLD.

In Current Account ..	1%	(without interest.)
In Savings Bank ..	5%	3%
At 90 days' notice ..	5%	3½%
At 2 months fixed ..	4%	3%
At 3 months fixed ..	5%	3½%
At 6 months fixed ..	5½%	4%

Otros plazos convencional

CHARGES

For Advances in Account Current	10%	9%
For Discounting Pagarés ..	(Conventional.)	

June 17th, 1899.

Acquarel

A cheap and durable Paint for all outside and inside work

No oil required
It mixes with cold water

Will stand RAIN & WEATHER EXPOSURE
Specially recommended for painting outside and inside walls of houses, galvanised iron buildings, wood-work of all descriptions, railway trucks, waggons, casillas, telegraph and telephone posts, etc. Furnished in 20 colours.

It stands better than oil paint at a fraction of cost

Sole Importers:

Holland, Beckett & Co.
467 Alsina 473
BUENOS AIRES.



CHOICE OLD
GAELIC WHISKY
(8 YEARS OLD)

Williamson & Moore
429 - Calle Cuyo - 429
BUENOS AIRES